

# Teleflex Marine – Kicker Cable Tie Bar

Training Presentation

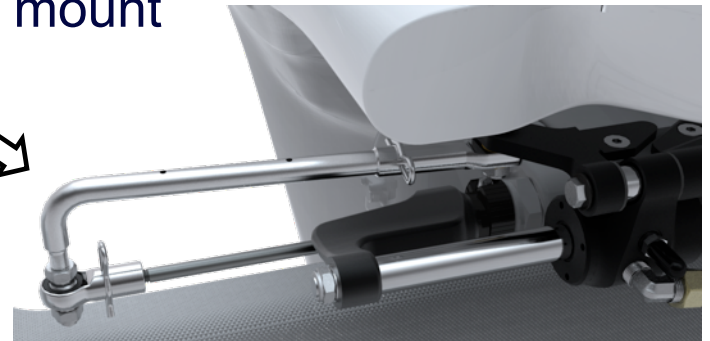
**Teleflex®**  
MARINE

# Kicker Cable Tiebar



# Kicker Cable Tiebar

- Allows user to manually steer an auxiliary (kicker) engine using their existing Seastar steering system
- Patent pending design that uses a **TFXTREME** cable as the linkage between the two engines
- Flexible cable allows for adjustable location of kicker motor
- Allows independent trim/tilt of both engines
- Allows full steering stroke of both engines
- Retrofittable to Seastar front mount cylinders (HC5345, HC6345)
  - ❖ HC5358 and HC6358 require inverted mount plate, consult factory
- Designed to allow for quick connection/disconnection if needed



# Kicker Cable Tiebar – Kit Content

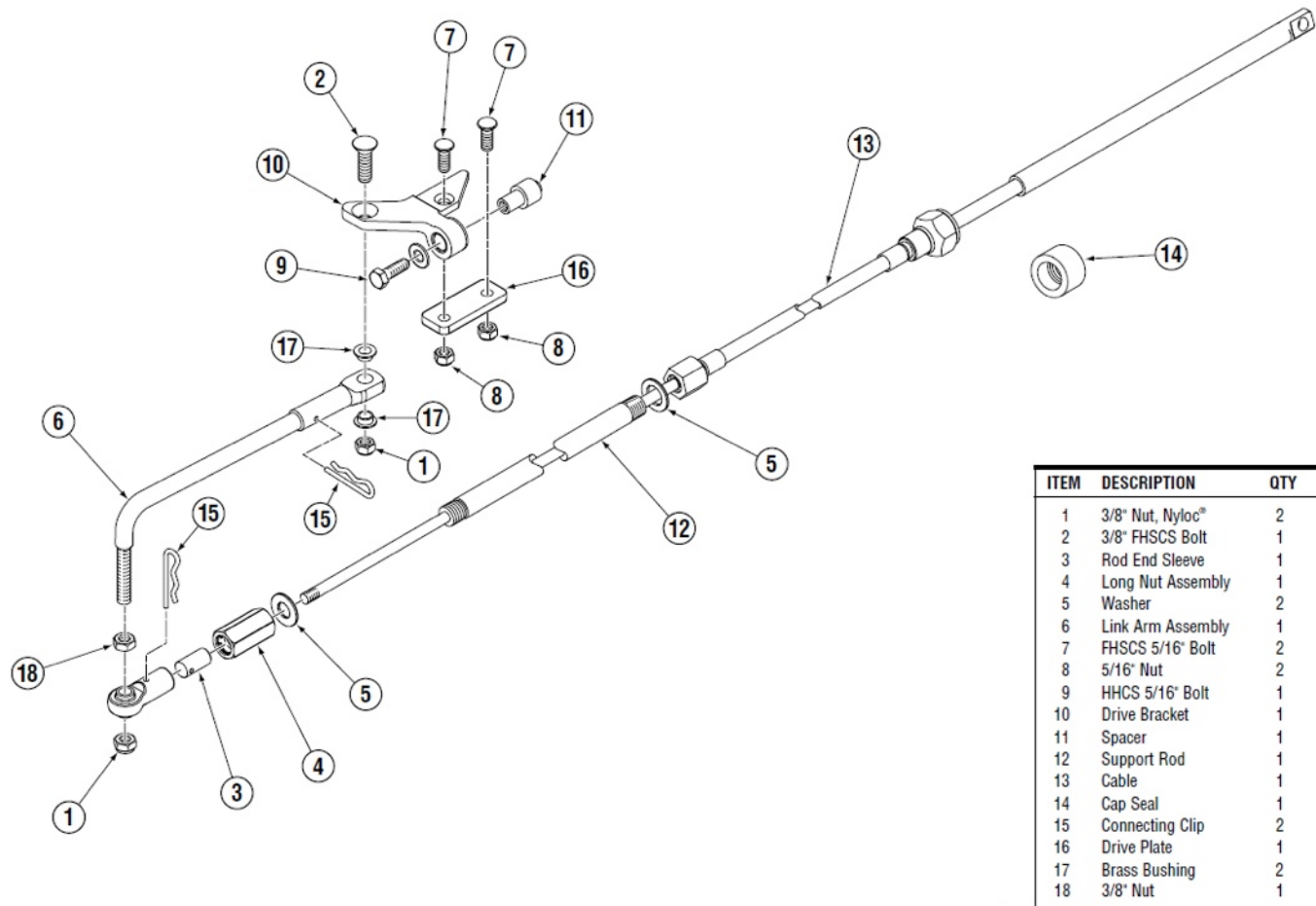


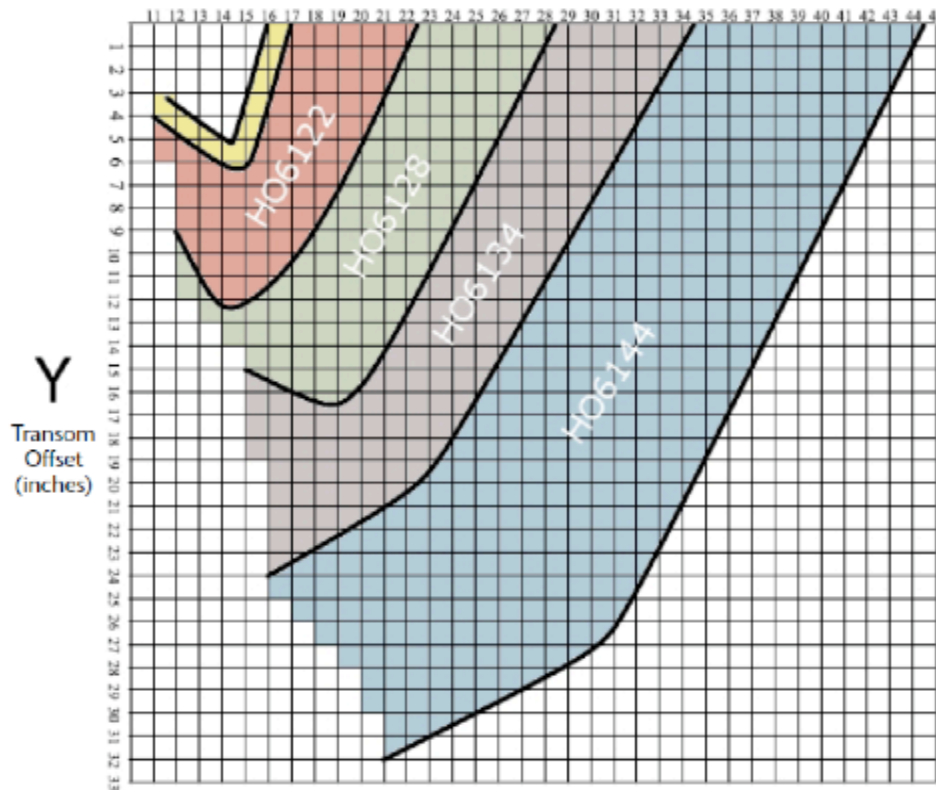
Figure 1. Items included in your SeaStar Kicker Cable Tiebar kit.

# Kicker Cable Tiebar

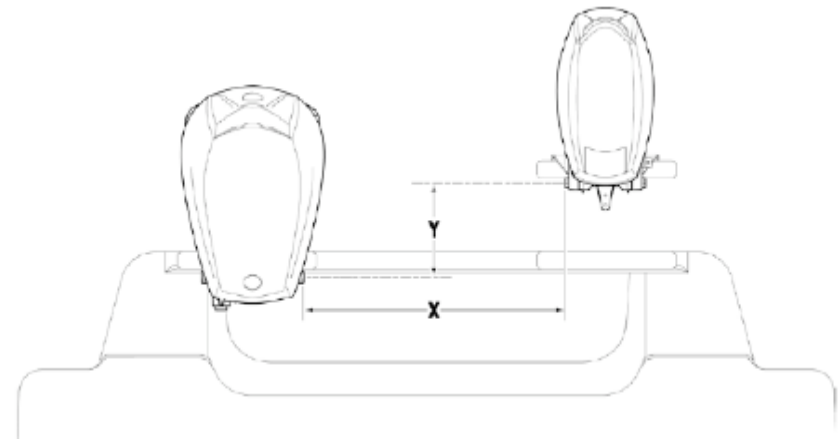
- Available September, 2010
- Launch package to include:
  - Bulletin & press release
  - 6 page brochure
  - Instruction/install manual
  - Powerpoint overview
  - Pricing

# Kicker Cable Tiebar – Selection

**X** Tilt tube to tilt tube (inches)  
See Notes 1 & 2



- HO6116
- HO6122
- HO6128
- HO6134
- HO6144

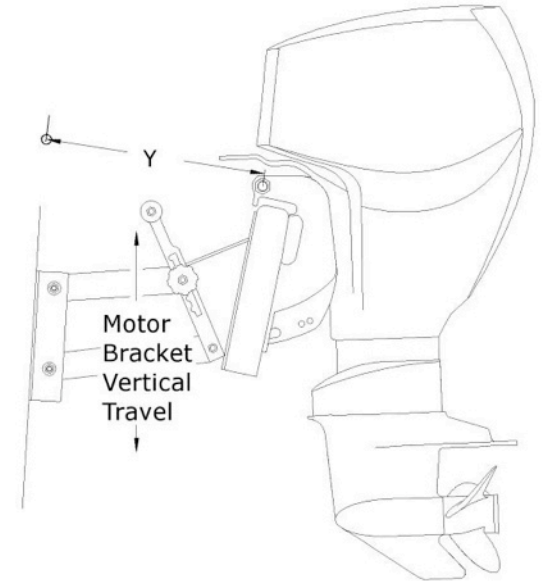


**1 Determine X and Y dimensions**

**2 Locate position on graph, which will indicate kit required.**

# Kicker Cable Tiebar – Selection With Motor Bracket

MOTOR BRACKET VERTICAL TRAVEL	ADD TO X DIMENSION
10"-12"	X + 3"
13"	X + 4"
14"-15"	X + 5"
16"-20"	X + 6"



- 1. For a Kicker installed on a motor bracket, add additional length to X dimension as per above table.**
- 2. For main engine installed on an adjustable jackplate, add an additional 2" to X dimension.**
- 3. Locate position on graph, taking into account adjusted X dimension.**

# Kicker Cable Tiebar

- Kits available
  - Available in 5 kits with varying cable lengths
    - HO6116
    - HO6122
    - HO6128
    - HO6134
    - HO6144
- Use selection guide to determine kit required