

APPLICATIONS

The SeaStar Jackplate is rated for 300 horsepower engines that weigh up to 625 pounds, and it is designed to maximize engine tilt when used with SeaStar steering cylinders.

FEATURES

- Sleek, bold styling – redefining the look for Jackplates.
- Presenting a full range of plates in 4, 6, 8, 10 & 12 inch setbacks.
- Aesthetically matched to SeaStar steering cylinders.

NOTES:

* Accessory adapter DK4600 is required for installation of anchoring systems on JP4060.

** Cannot mount Power Pole® or Talon® anchoring systems.

*** Included with Jackplate harness.

**** Used on Jackplates with serial numbers D4000-00001 to D4000-001843.

***** Used on Jackplates with serial numbers above D4000-001843 and any Jackplate serial numbers starting with JPXXXX.



The SeaStar Jackplate is one of the sleekest and most durable engine Jackplates available. This essential performance accessory allows for higher speed, gains in fuel economy and the ability to run in shallow water. The all new SeaStar Jackplate features sleek, bold styling that is redefining the look for Jackplates.

Available in 4, 6, 8, 10 and 12 inch setbacks, it also has a new, high-speed, hydraulic actuator that lifts engines 5.8” in 8.5 seconds. The SeaStar Jackplate is rated for 300 horsepower engines that weigh up to 625 pounds, and it is designed to maximize engine tilt when used with SeaStar steering cylinders.

ORDER INFORMATION

HYDRAULIC PLATES	PART No.
4” Setback	JP4040**
6” Setback	JP4060*
8” Setback	JP4080
10” Setback	JP4100
12” Setback	JP4120

ACCESSORIES	PART No.
Hole Shot Plate Kit, 6”	HSP4060
Hole Shot Plate Kit, 8”	HSP4080
Hole Shot Plate Kit, 10”	HSP4100
Hole Shot Plate Kit, 12”	HSP4120
Jackplate Relay	DK3010
Jackplate Wire Harness	DK4420
Actuator Kit, 3/8” Mount Bolt, 5/16” socket	DK4710****
Actuator Kit, 7/16” Mount Bolt, 3/8” socket	DK4720*****
SeaStar Stabilizer Clips, (pack of 2)	HYCL-001
Transom Plate, Small, 2” x 15”	18-79987
Transom Plate, Large, 4” x 17”	18-79988

ACCESSORIES	PART No.
Basic Rocker Switch	DK4020***
Pro Trim Single Function	PT1000-1P
Pro Trim Dual Function	PT2000-1P
SmartStick and Gauge Kit	DK4220
Gauge and Harness Kit	DK4320
Accessory Adapter	DK4600

Issue Date - Mar 2016

Issue Number - jp2



Learn More



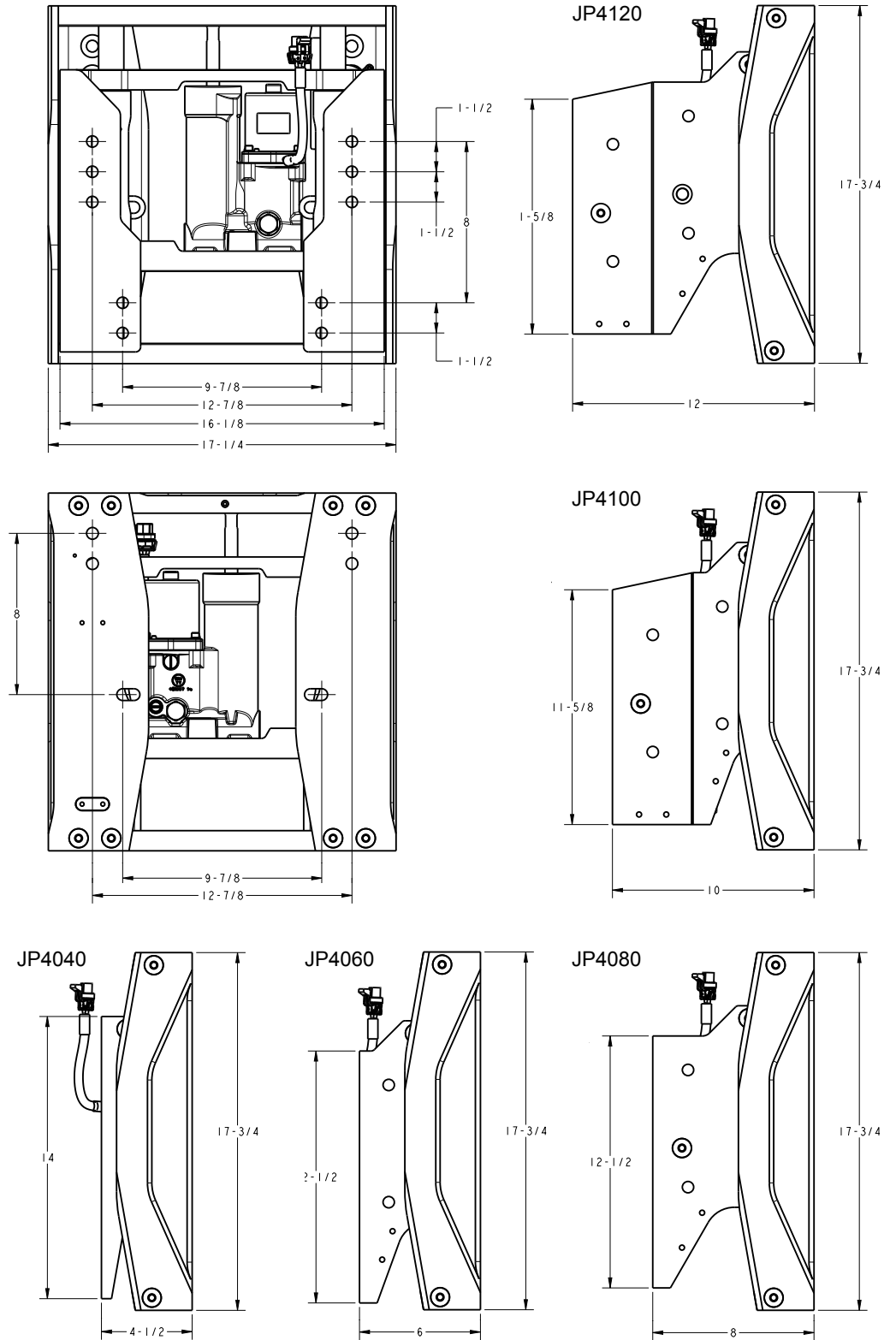
www.seastarsolutions.com



FEATURES

- New high speed hydraulic actuator. Bottom to top in under 8.5 seconds.
- High output integrated actuator to lift and lower engines in all conditions.
- Rated for 300hp engines up to 625 pounds dry weight.
- Environmentally sealed non-contact SmartStick position sensor kit available for precise height information.
- Complete rigid engine support at full thrust.
- Easily moves engine at full thrust.
- Designed to maximize engine tilt with SeaStar steering cylinders.
- High visibility lift scale for quick glance operation.
- Integrated circuit breaker gives electrical protection right at the battery post.
- All hydraulic Jackplates come with basic rocker switch DK4020.

TECHNICAL DATA



Issue Date - Mar 2016
Issue Number - jp2



Learn More

