

ADAPTER KIT # H05035A

Single, 1989 Mercury Outboard Engine

For use with HC5342
Cylinder ONLY

NOTICE

Tab washer corners **MUST** be bent up against the flats of the hex. head bolts to prevent the bolts from turning.

Figure A1.

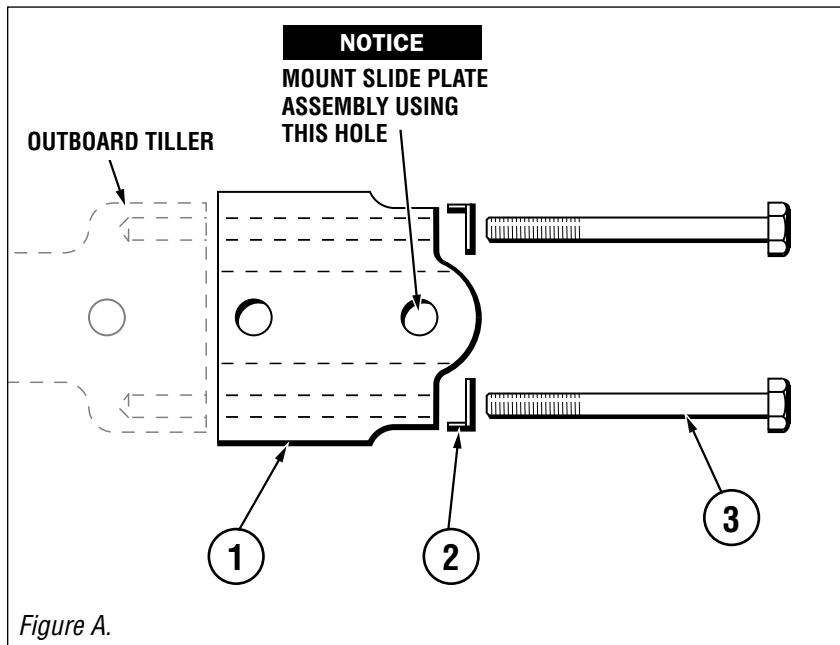
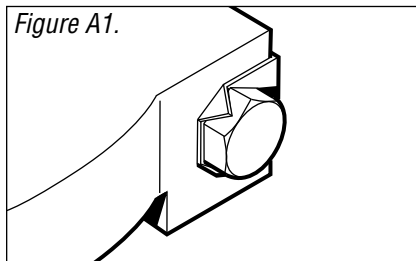


Figure A.

ITEM	PART #	QUANTITY PER KIT	DESCRIPTION
1	741327	1	Adapter Plate
2	203123	2	Tab Washer
3	752021	2	Hex Head Bolt 5/16NF x 3-1/2", SS

1. Use the 3-1/2" long bolts to attach the adapter plate to the tiller arm.
2. Tab washer corners **MUST** be bent up against the flats of the hex. head bolts to prevent the bolts from turning. (See fig A1.)

⚠ WARNING

Failure to follow these instructions may result in the extension piece separating from the tiller, causing loss of steering and property damage and/or personal injury.