



POWER ASSIST CHANGES

With the continued success of the SeaStar Power Assist, Teleflex Marine has implemented further changes to the look and integration of the SeaStar Power Assist pumps.

These changes simplify the installation and mounting of the unit and enhance the overall appearance of the product. The function and operation are not affected.

Please review all notes below to familiarize yourself with the latest generation of the SeaStar Power Assist.

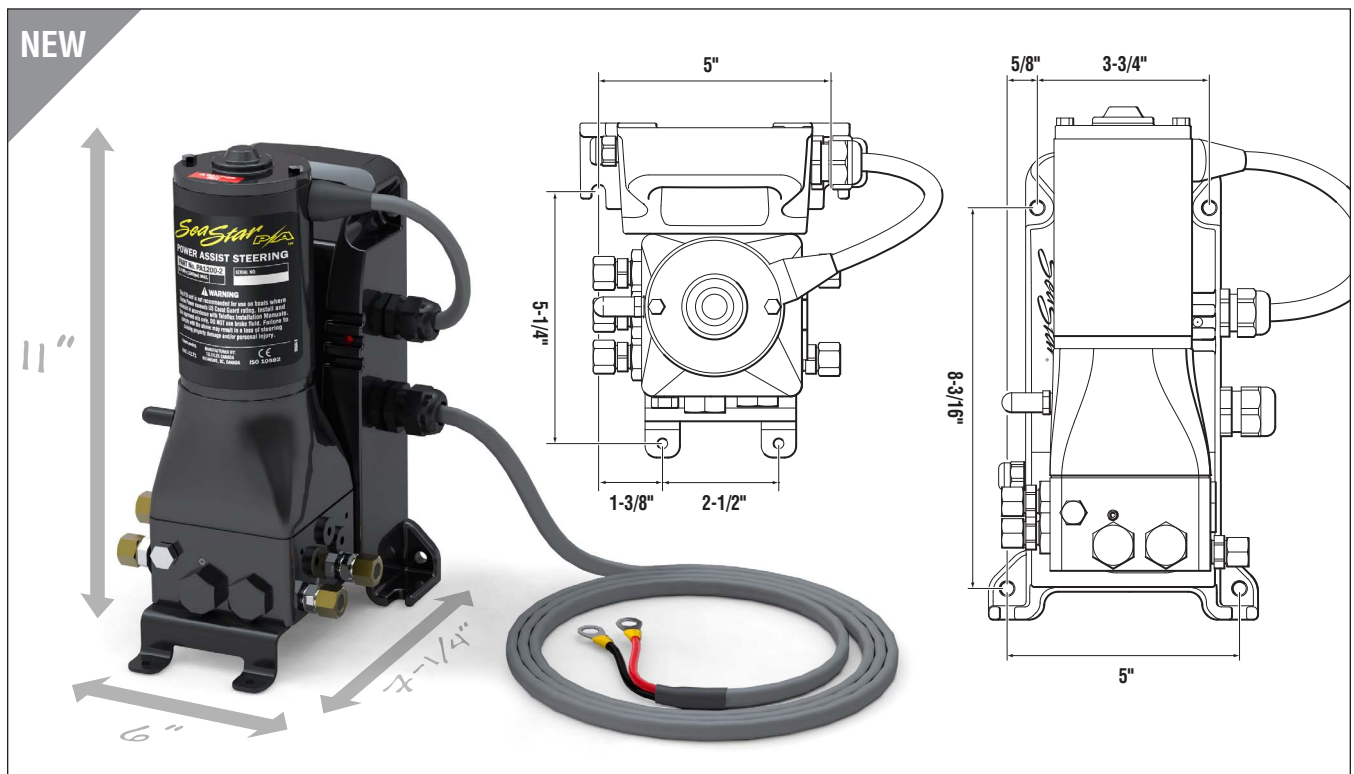


Figure A. New Look Power Assist

WHAT'S NEW?

Flexible Connection: The Power Assist unit can now be electrically connected to a distribution block or an electrical panel as well as the battery. The fusing has been removed from the wire harness and made integral to the device electronics removing the need to connect directly to battery. Please note that an external fuse kit may be required to remain ABYC compliant.

Dual Mount: Wall and floor (vertical and horizontal) mounting configurations are available out-of-the-box. No accessory bracket kits are required for floor mounting. See figure 'A' above for the new mounting patterns.

Dual Voltage: The Power Assist is now fully compatible with both 24V and 12V electrical systems. The Power Assist unit will automatically recognize the supply voltage and compensate its operation accordingly. This reduces installation issues and ensures compatibility with a wider range of vessels.

Two Harness Lengths: The Power Assist is available with 2 different harness lengths, 15 feet and 25 feet. With the fusing now removed, the harness can be cut to any length to suit more installations. See the table below for harness lengths and corresponding part numbers.

Streamlined Package: The next generation of SeaStar Power Assist is smaller and has an enhanced appearance. This compact, more streamlined package results in more placement options within the boat and a cleaner, less cluttered installation.

Reduced Weight: The weight of the Power Assist has been reduced from 15 pounds to 13 pounds.

WHAT YOU NEED TO CHANGE?

You will need to change the mounting pattern for installation if you were previously using a Power Assist unit.

You may also be required to add a fuse kit to ensure ABYC compliance when connecting directly to battery. Teleflex Part# HA1206 is available for this purpose.

PART NUMBERS

Harness Length	15 foot	25 foot
SeaStar Power Assist	PA1200-2	PA1225-2
SeaStar Power Assist Pro	PA1315-2	

("-2" has been added to the existing Power Assist part numbers)