

SEASTAR™

T2 TIEBAR PLATE REPLACEMENT BOLT KIT PART # HP6063

Safety Information

Throughout this publication, Warnings and Cautions (accompanied by the International Hazard Symbol) are used to alert the user or installer to special instructions concerning a particular service or operation that may be hazardous if performed incorrectly or carelessly. **OBSERVE THESE CAREFULLY!** These 'safety alerts' alone cannot eliminate the hazards that they signal. Strict compliance to these special instructions when performing the installation and maintenance, plus 'common sense', are major accident prevention measures.

WARNING

Hazards or unsafe practices which could result in severe personal injury/death. Failure to comply with ANY warning may lead to loss of steering control. Loss of steering control may lead to unpredictable boat behavior causing ejection from vessel, or a collision with an object, resulting in property damage, personal injury and/or death.

CAUTION

Hazards or unsafe practices which could result in minor injury, or product/property damage.

NOTICE

Important information to assist with the installation/maintenance of the steering system and is not hazard-related.

NOTICE

Protect yourself and your environment. ALWAYS wear approved safety glasses and protective equipment to avoid injury. ALWAYS dispose of used oil in an environmentally conscientious manner and be sure to adhere to local and Federal environmental laws. Keep your waters clean so that they can be enjoyed by all.

WARNING

Tiebar Plates (multiple engines), or, Blanking Plates (single engine) MUST be installed prior to use. Failure to do so may lead to separation of components resulting in loss of steering control, leading to possible ejection from vessel causing property damage, personal injury and/or death.



Installation Steps

1. Apply thread locker (item 2) to threads of mounting bolt (item 1).
NOTE: Thread locker is included with this kit.

⚠ WARNING

Thread locker (item 2) MUST be installed onto all four bolts (item 1). Failure to do so may lead to separation of components resulting in loss of steering control, leading to possible ejection from vessel causing property damage, personal injury and/or death.

NOTICE

Depending on engine, the cylinder may be mounted differently than shown.

2. Mount Blanking Plates (item 3), or Port/Starboard Tiebar Plates (item 4), as required to BOTH sides of steering cylinder (item 5) as shown in Figure A.
3. Torque mounting bolts (item 1) to 50 ft-lb.

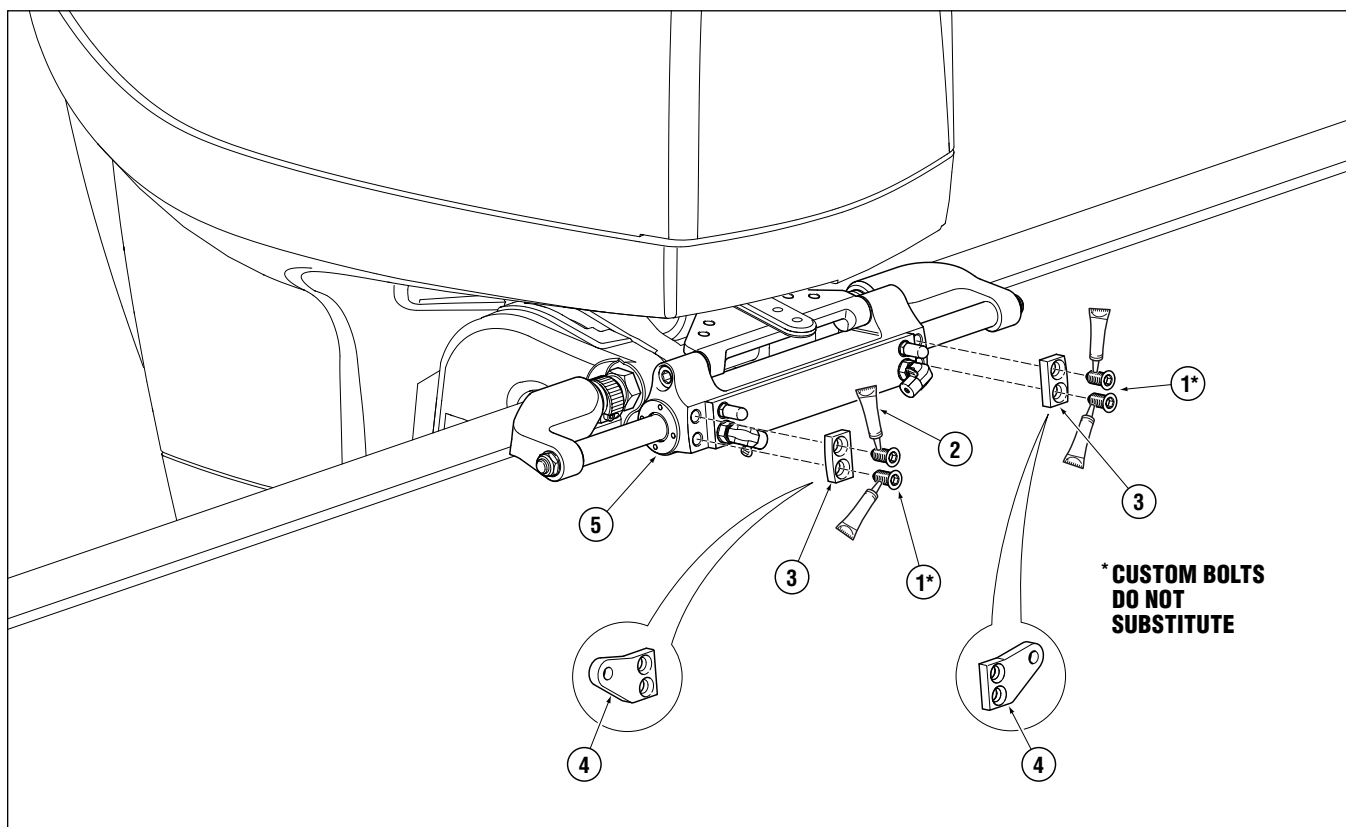


Figure A.

ITEM	QTY	DESCRIPTION	NOTES
*1	4	Mounting Bolt	<i>Custom bolts, DO NOT substitute</i>
2	1	Thread Locker	<i>Must be applied</i>
3	2	Blanking Plate	<i>Must be installed if no item 4</i>
4	2	Port/Starboard Tiebar Plate	<i>Must be installed if no item 3</i>
5	1	Steering Cylinder	