

HYNAUTIC K-8 & K-9 CYLINDER APPLICATIONS Mounting Foot Holes

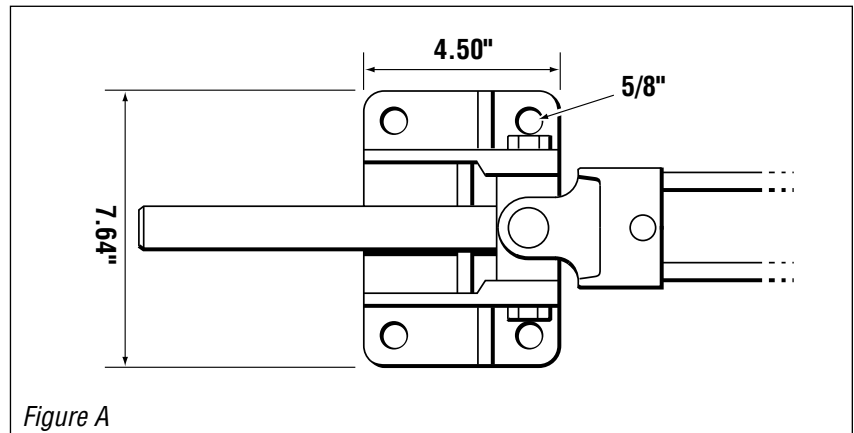
Please be aware that during the consolidation of the Hynautic and SeaStar product lines towards a common standard of our hydraulic steering systems, some areas of installation may be subject to revised dimensional requirements.

NOTICE

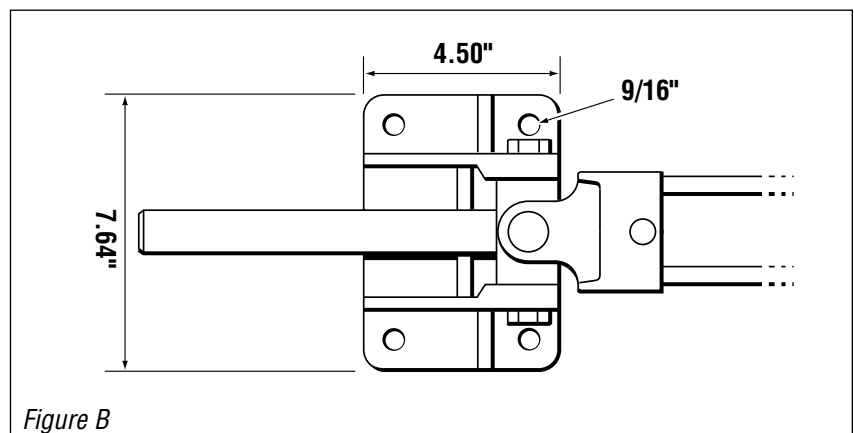
The mounting foot part# 670072 for the Hynautic K-8 and K-9 cylinders has had the following modifications made to it.

The 9/16" mounting holes have been increased in size to 5/8".
Please make the appropriate changes to your application.

NEW Dimensions:



OLD Dimensions:



⚠ CAUTION

To obtain a correct push and pull angle between the tiller arm and cylinder, or tie bar and cylinder, the cylinder should be parallel to the transom, or tie bar, or the keel line (depending on mounting configuration) when cylinder rod is fully extended (out) or fully retracted (in).
Swing rudder(s) back and forth to ensure free movement of cylinder.
Ensure that there is no binding of ball joint.