

## HYNAUTIC KF-100 ENGINE ADAPTER KIT is being replaced with SeaStar engine adapter kits H05035 and H05038A

Please be aware that during the consolidation of Hynautic and SeaStar product lines towards a common standard of our Hydraulic Steering Systems, the following Hynautic products will be discontinued as of January 2004.

### NOTICE

When using a Hynautic K-10 steering cylinder with the engines listed below use the noted SeaStar Engine Adapter Kits as per your installation.

### Differences:

Engine	Hynautic	SeaStar	
Mercury 1989 to Date 75-275HP	KF-100 Engine Adapter Kit both single and twin engine applications	H05035 single engine	H05038A twin engines both single and twin cylinders

### Single Engine Applications ONLY:

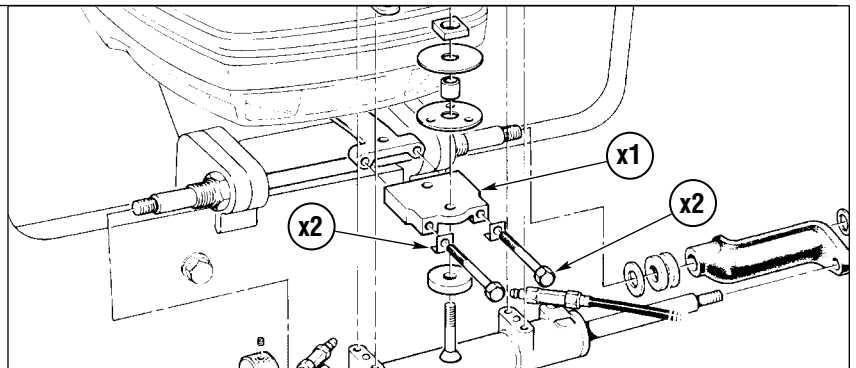


Figure A: SeaStar H05035

**x2** → Indicates quantity included in kit.

### Twin Engine Applications Single & Dual Cylinder:

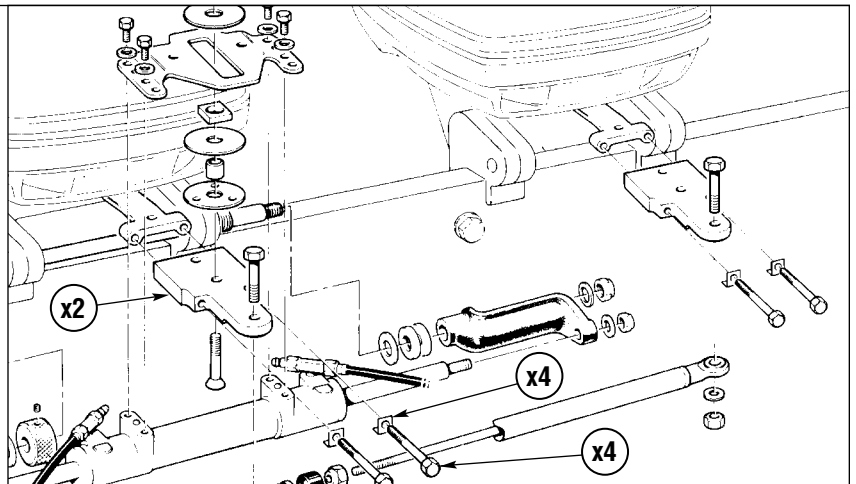


Figure B: SeaStar H05038A

**x2** → Indicates quantity included in kit.