



OUTBOARD TIEBAR KITS

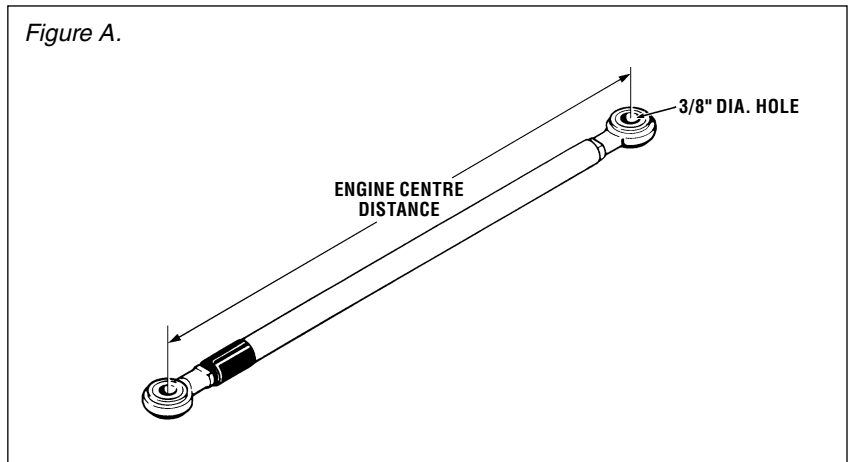
Part # TBH-01 and TBH-02 are now **OBSOLETE** effective immediately.

Teleflex Marine would like to inform our customers that effective immediately, Hynautic Outboard tiebar kits are being replaced by a single SeaStar Tiebar kit. Please refer to the table below for part numbers effected.

Obsolete Kits

Hynautic Part #	Description	Replacement Part #	NOTES
TBH-01	Tiebar Kit	H05009	Direct replacement
TBH-02	Tiebar Kit	H05009	Direct replacement

Figure A.



NOTICE

The chart below lists the differences that users of the TBH-01 and TBH-02 tiebar kits will notice.

TBH-01	TBH-02	H05009	NOTES
23"-30" Engine Centers	20.25"- 24.5" Engine Centers	26"- 36"	Consult Tech support if engine centers are shorter
Grease nipple fitted on ball joint	Grease nipple fitted on ball joint	No greasing required	Different design of ball joint
Shipped with tiller bolt	Shipped with tiller bolt	No tiller bolt shipped	Due to various tiller bolt lengths, Teleflex Marine recommends purchase of any, stainless, Grade 5, 3/8" NF tiller bolt

Questions?

If you have any questions please contact Technical Support by: Phone: 604-248-3858, or by e-mail: seastar@tflexinc.com