

BAYSTAR HELM PUMP# HH4016 FLUID LEVEL

It is necessary that the hydraulic fluid level in the BayStar Helm Pump #HH4016 is maintained at its correct level at all times. Please refer to the figures shown below for the correct hydraulic fluid level for your BayStar Helm Pump.

For helms mounted horizontally, or up to 10° from horizontal, hydraulic fluid must be filled to the bottom of the fill port. DO NOT allow the hydraulic fluid level to drop more than 1/4" below the bottom of the fill port.

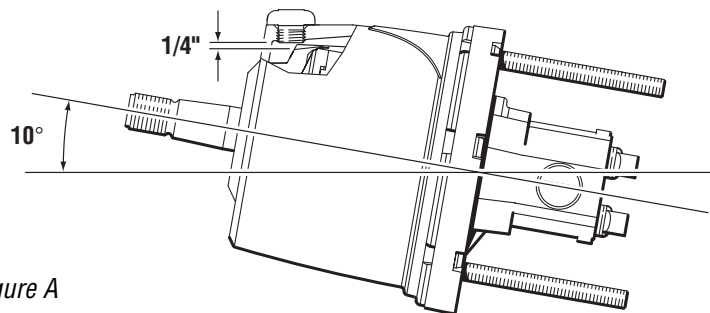


Figure A

NOTICE

Over filling the helm may NOT allow sufficient air volume into the reservoir and may cause weeping from the vent plug.

Under filling the helm may result in air being drawn into the hydraulic lines, causing poor performance and/or loss of steering causing property damage, personal injury or death.

For helms mounted between 10° and 70° from horizontal, hydraulic fluid must be maintained at between 1/8" and 1/2" from the bottom of the fill port.

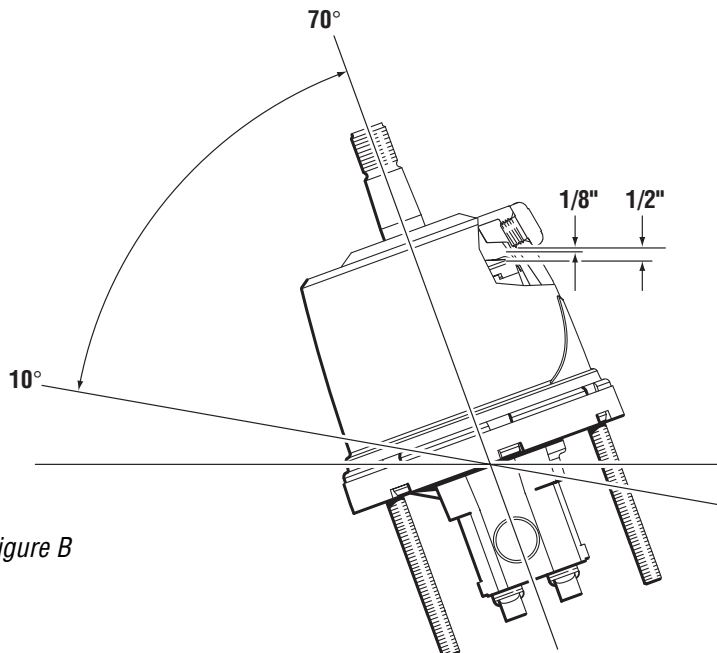


Figure B