

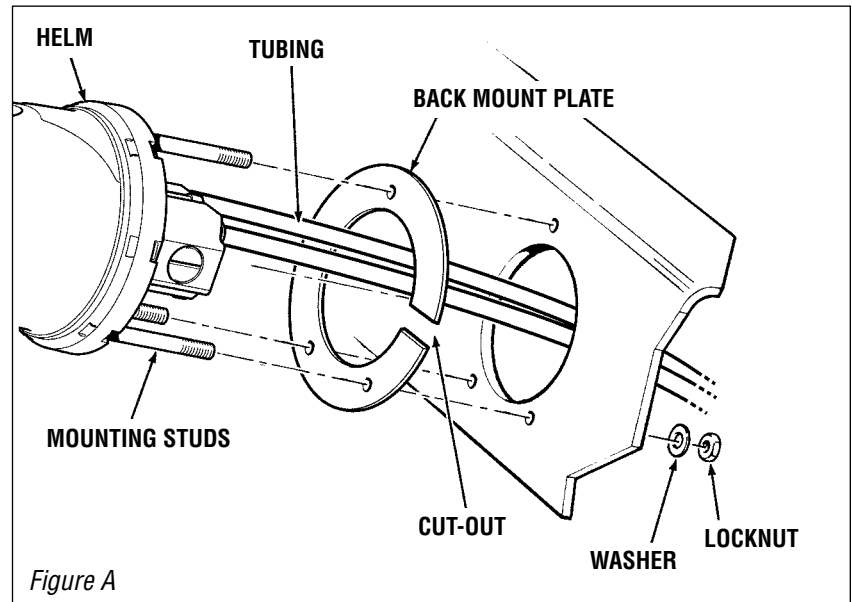
# BAYSTAR HELM# HH4016

## BayStar Back Mount Plate Kit PID# 220465

As of July 1, 2002 Teleflex Canada implemented a back mount plate into ALL helm packages.

This plate is designed to create a better mounting surface to the boat dash. ALL BayStar helms require the installation of this plate. Helms dated before July 1, 2002, DO NOT have these plates included.

**Please immediately install the plate included with this notice.** Back Mount Plate PID # 220463 is available from Teleflex Canada. Refer to figure A if extra parts are required.



## BayStar Back Mount Plate Mounting Instructions

- 1 Remove the 3 lock nuts and washers from the helm mounting studs (refer to Figure A).
- 2 Slide helm out from the dash.  
**NOTICE** Keep tubing attached to the helm pump.
- 3 Inspect the area around the studs of the helm pump.  
**CAUTION** If the area appears to be damaged, contact Teleflex Canada. DO NOT Continue on with installation.
- 4 Slide backing plate 220463 over the tubing and onto the mounting studs (refer to Figure A).  
**CAUTION** Be careful not to slice tubing on the plate.
- 5 Once installed onto studs, push helm pump back into dash.  
**CAUTION** Be sure not to kink or bend the tubing.
- 6 Install washer and lock nut (refer to Figure A) and tighten to 15 in lb. MAX.