

HONDA 150HP 4-STROKE ENGINES TWIN ENGINE APPLICATIONS ONLY

Due to an error with SeaStar Selection Guide Revision 11 and SeaStar Installation Book # 1.1, please be advise that there is a change to the tiebar that is used with the Honda 150HP 4-Stroke, Twin engine applications ONLY. In the current selection guide and Book #1.1, we state to use and show an installation of tie bar kit # HO6001. This tiebar will not mount up to the slave engine in a twin engine application. Please see the table and figure A below for details.

CORRECT Application Specification

ENGINE MANUFACTURER	YEAR	MODEL	CYLINDER	ENGINE TIE BAR KITS		NOTE
				SINGLE CYL.	DUAL CYL.	
HONDA	2001-TO DATE	150 HP 4 Stroke	HC5345	HO6003	HO6002	
	2001-TO DATE	200-225 HP 4 Stroke	HC5345	HO6001	HO6002	

NOTICE

Honda 200-225HP 4-Stroke applications have NOT changed, as noted in the above table.

If you require installation instructions and/or a new application chart, please contact Teleflex Canada Technical Support at for an updated version. We apologize for any inconvenience this may have caused.

Phone: 604-270-6899, ext. 311

Fax: 604-279-2202

Email: info@teleflex.bc.ca

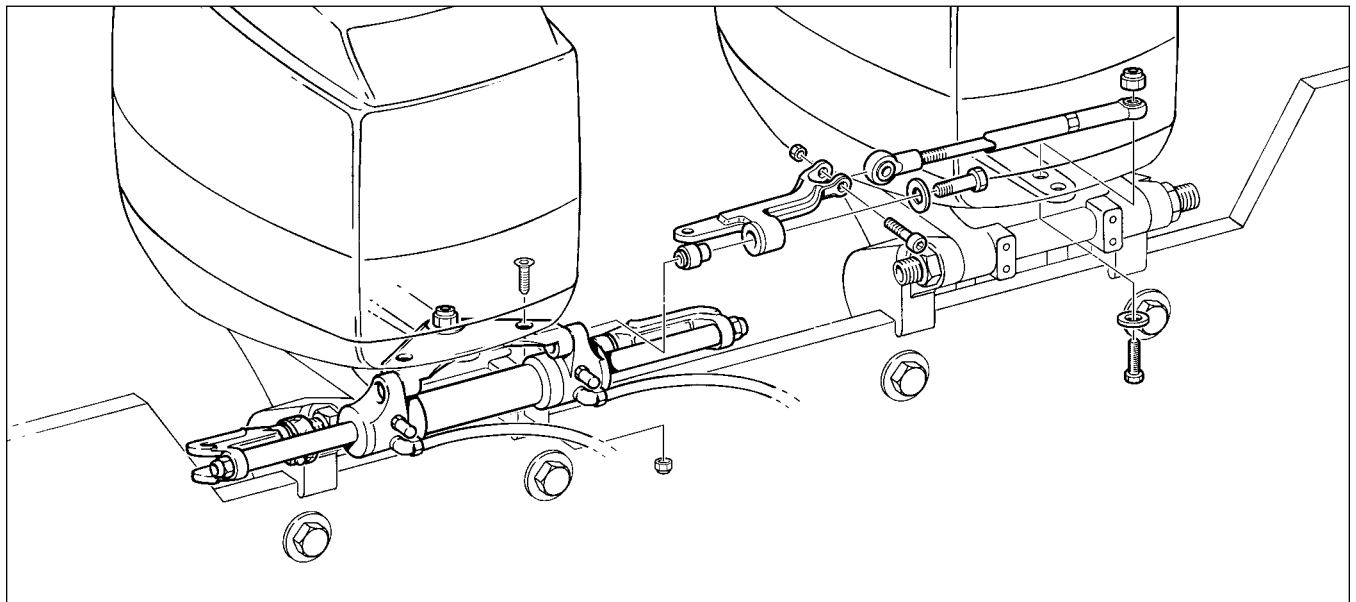


Figure A: Tie Bar Kit HO6003 shown.