

# INSTALLATION OF SEASTAR CYLINDER HC5331 CABLE TUBE SUPPORT KIT# 785255

Teleflex Canada has learned of a few isolated cases where the cable tube has cracked on the Volvo Power Steering drives, SX, DP-S and XDP, causing loss of steering control. Please read the following inspection and installation procedures to ensure your system is operating properly.

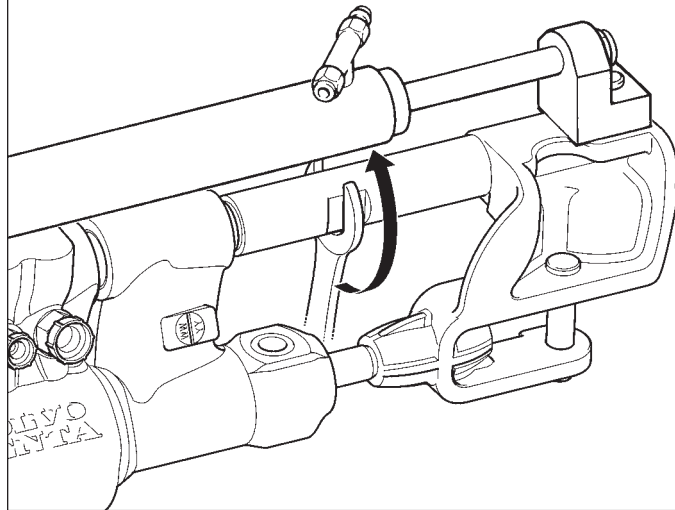
## Inspection:

### NOTICE

If your Power Assist system does NOT resemble that on page 2 figure C, please disregard this notice.

Ensure that the cable tube is fully tightened. To do so place a wrench onto the cable tube wrench flats and tighten in the direction shown in Figure A. Torque to 40 ft-lb. (54.25Nm).

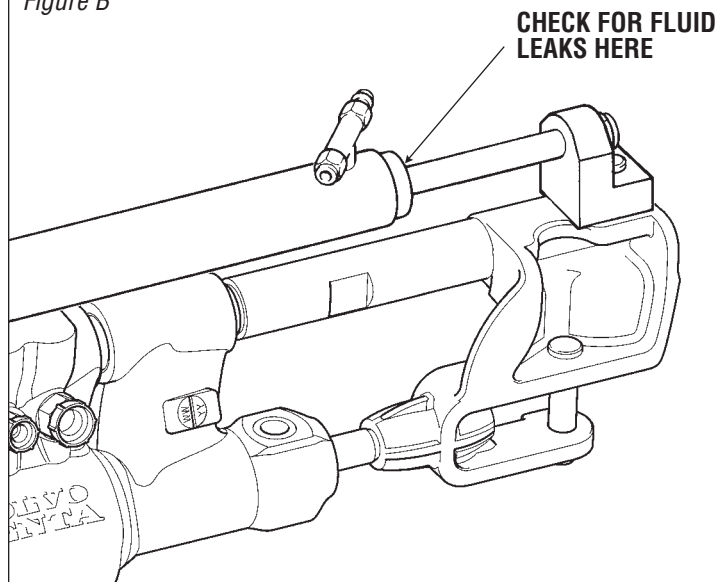
Figure A



### NOTICE

During inspection also check for signs of hydraulic fluid leaking in the area noted in figure B.

Figure B



# INSTALLATION OF SEASTAR CYLINDER HC5331 CABLE TUBE SUPPORT KIT# 785255

## Installation:

**STEP 1:** BEFORE installing the Tube Support Kit#785255 (figure C, item #1) ensure that the 1/4" screw (figure C, item #2):

- **HAS** Loctite® applied to the threads
- **IS NOT** tight
- **IS** loosened by two turns

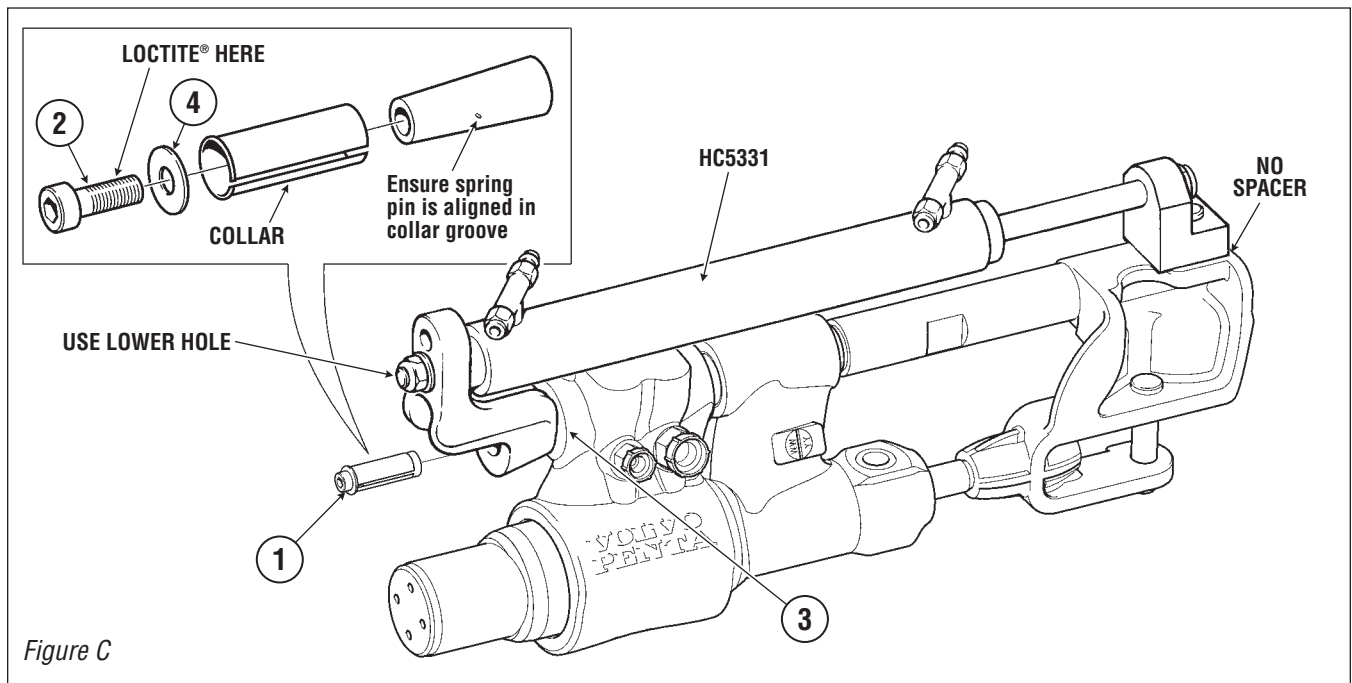


Figure C

**STEP 2:** Push the Tube Support (figure C, item 1) into the tube (figure C, item 3) by pressing on the 1/4" screw (figure C, item 2) **DON'T press on the washer** (figure C, item 4). Refer to notice on left. Ensure that the tube support (figure C, item 1) and tilt tube bore are clean and free of any oil or debris.

## NOTICE

Some tilt tubes may have a slightly larger ID causing the tube support to be a loose fit during installation. If you encounter a larger tilt tube ID, please pre-expand the tube slightly by tightening the 1/4" screw slightly until the support is a snug fit in the tube. The tube support can then be fully installed by tapping on the center bolt with a punch until fully inserted and then following steps 1 through 3.

**STEP 3:** Once installed torque the 1/4" Screw (figure C, item 2) to 160in-lb (18.5Nm).

**⚠ WARNING** Failure to properly torque the 1/4" screw to the value noted above may cause loss of steering.

**STEP 4:** Repositioning of cylinder—Please change the location of the steering cylinder to the lower hole in the cylinder bracket and remove the cylinder spacer (refer to figure C).

**NOTICE** *IF interference occurs between the HC5331 cylinder and the main power steering ram while repositioning, please contact Teleflex Canada Technical Support at: Tel. 604-270-6899.*

**To obtain Support Kit# 785255 or if undue wear, cracking or fluid leaks are found—call Teleflex: 1-866-779-6899**