

# HYDRAULIC STEERING BLEEDER NUT DEFECTS

## ⚠ WARNING

**Failure to replace these BLEEDER NUTS as instructed, may lead to a fluid leak causing loss of steering control leading to property damage and/or personal injury or death.**

Through in house testing, Teleflex Marine has found an isolated failure of Bleeder Nut part # 794926, where it has cracked due to stress corrosion. All Bleeder Nuts that have been assembled with SeaStar or BayStar Cylinders, SeaStar Power Assist Pumps or supplied in SeaStar/BayStar/Hynautic Fitting kits between **March 1st, 2007 and June 30th, 2007** **MUST** be replaced prior to the next use of the vessel. Although very few of these Bleeder Nuts may have been shipped, and the likelihood of a nut cracking during use is extremely remote, Teleflex Marine feels it is prudent to replace ALL Bleeder Nuts immediately.

### Step 1: What to look for?

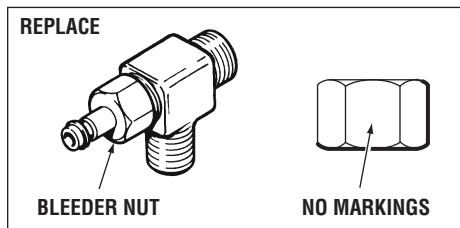


Figure 1a

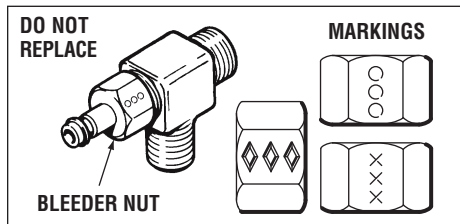


Figure 1b

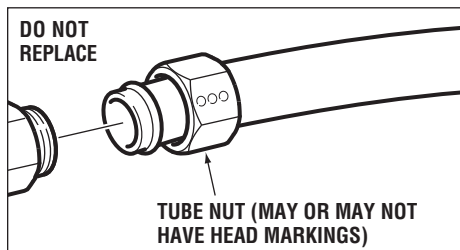


Figure 1c

## NOTICE

ALL Power Steering Cylinder will have 3 (three) Bleeder Nuts that may need to be replaced as per the markings listed above. A complete list of part numbers affected can be found on page 3 of this notice.

### Location of Bleeder Nut

The following figures show the location of the “BLEEDER NUT” in relation to the unit it is installed on. We would like to stress that although similar in appearance, the “TUBE NUT” used to crimp SeaStar and BayStar Nylon Tubing onto a helm and/or cylinder (refer to Figure 1c), is NOT affected. To avoid unnecessary time and labor, ENSURE that ONLY the Bleeder Nut is replaced. Page 3 of this Advisory Notice has a complete list of all affected part numbers.

### Identifying Marks on Bleeder Nuts

The Bleeder Nuts shown in Figure 1b have specific “Head Markings” that are stamped directly on the fitting and DO NOT need to be replaced. These marks identify the location of where the nut was manufactured. **ONLY** Bleeder Nuts that have **NO** markings will need to be replaced (refer to Figure 1a).

### Location of Date Code and/or Serial Number

The following figures also show the location of the cylinder Date Code, or on the Power Assist the Serial Number. If the cylinder or Power Assist pump does NOT fall within the date code or serial number noted, there is no need to replace these Bleeder Nuts.

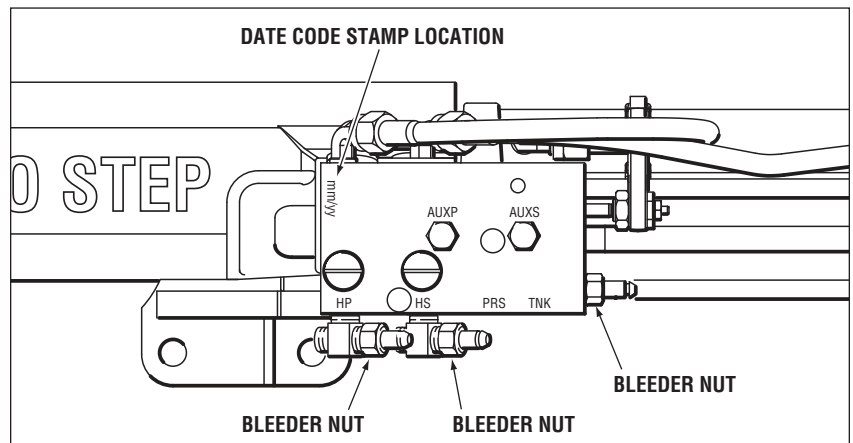
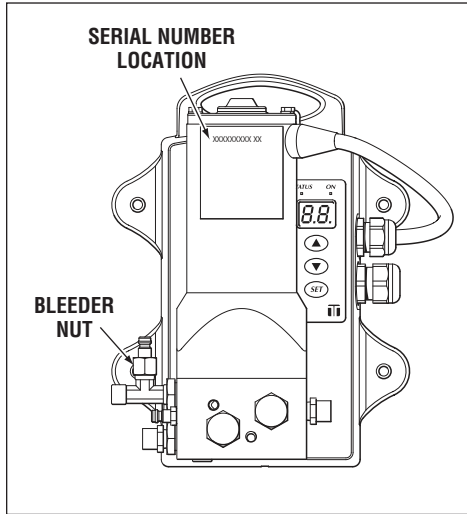


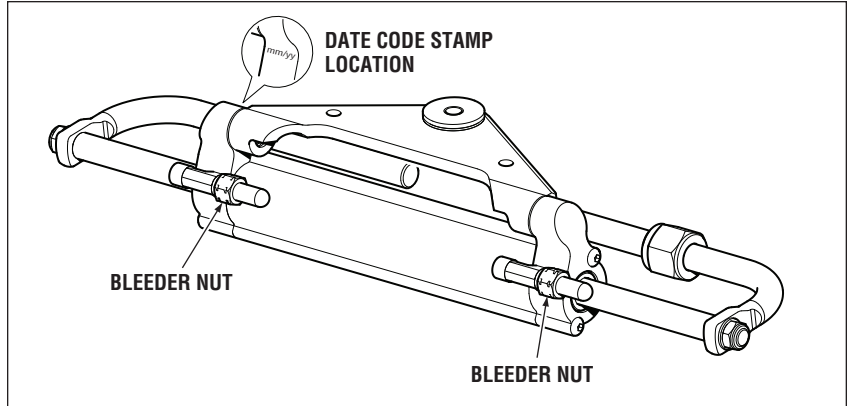
Figure A: Power Steering Cylinder

**NOTICE**

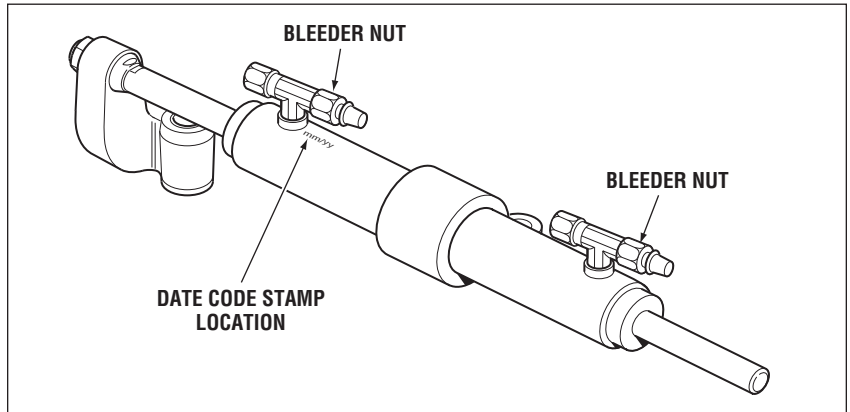
ALL Power Assist Pumps may have 1 (one) Bleeder Nut that will need to be replaced as per the markings on page 1 of this notice. A list of serial numbers of affected Power Assist Pumps can be found on page 3 of this notice.



**Figure B: Power Assist Pump**



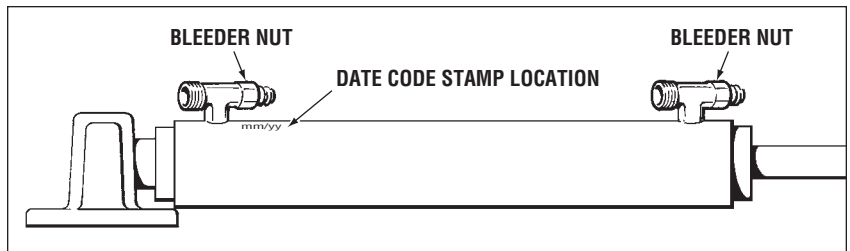
**Figure C: BayStar Steering Cylinder**



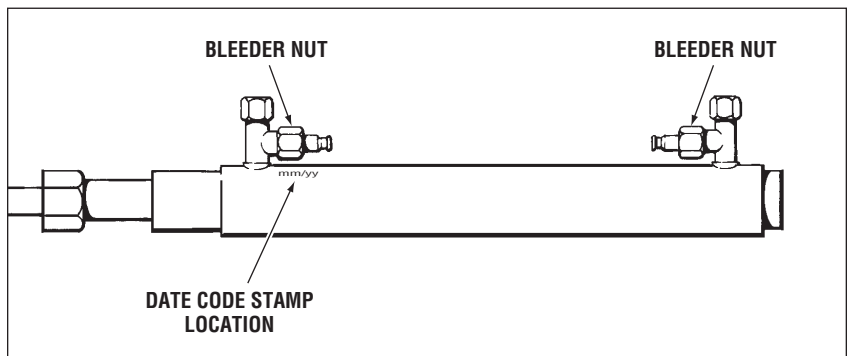
**Figure D: Sterndrive Steering Cylinder**

**NOTICE**

ALL Manual Steering Cylinders may need to have 2 (two) Bleeder Nuts replaced as per the markings on page 1 of this notice. A complete list of part numbers affected can be found on page 3 of this notice.



**Figure E: SeaStar Inboard Steering Cylinder**



**Figure F: SeaStar Side Mount Cylinder**

**Step 2: What to do next?**

After confirming that the cylinder(s), Power Assist pump(s) and/or Fitting kits fall within the date code and/or serial numbers noted and has bleed nuts **WITHOUT** "Head Markings" as shown on page 1, contact Teleflex Marine at the number listed below to arrange for immediate shipment of new Bleeder Nuts directly to you. Once the new Bleeder Nuts are received there will be no need to return the defective nuts to us. The defective bleeder nuts must be scrapped to prevent these from being used in any other application

**NOTICE**

When installing new Bleeder Nuts, torque to 85 in. lb. MAX.

**Affected SeaStar & BayStar Part Numbers**

SeaStar Cylinders		BayStar Cylinders	Hynautic Cylinders	SeaStar Power Assist Pumps Model & Serial Numbers	SeaStar Fitting Kits
HC5318	HC5303	HC4645H	K-52	PA1200	HF5518
HC5319	HC5311-1	HC4648H	K-62	01-017445 through 01-019788	HF5503
HC5324	HC5312-2	HC4647H		PA1225	HF5504
HC5369	HC5313	HC4658H		12-01-400264 through 12-01-400350	HF5520
HC5391	HC5314	HC4670H			HF5588
HC5399	HC5330	HC4460H		PA1203	HS5172
HC5801-2	HC5330BL			12-01-10001 ONLY	HF5521
HC5801-2R	HC5331			PA1303	HF4202
HC5801-2S	HC5335			13-01-100006 and 13-01-100007	HF5600
HC5801-A	HC5336			PA1315	HA5445
HC5801A	HC5337			13-01-300033 through 13-01-3000200	HA5961
HC5801B	HC5370BL			PA2403	HF5524
HC5801B-2	HC5374			24-01-100001 ONLY	HF5543
HC5801H	HC5376			PA2407	KF-90
HC5803	HC5380			24-01-200002 ONLY	KF-90-QC
HC5803-2	HC5912				KF-98
HC5803-A	HC5328			PA2415	
HC5803A-2	HC5329			24-01-000082, 24-01-000250 through 24-01-000269	
HC5805	HC5319-A			PA2425	
HC5342	HC5318-A			24-01-400002, 24-01-400003 and 24-01-400004	
HC5343	HC5344				
HC5344	HC5326				
HC5971	HC5327				
HC5332	HC5338				
HC5339	HC5370BL				

**Contact:**

**Teleflex Hydraulic: 1-866-779-6899**