



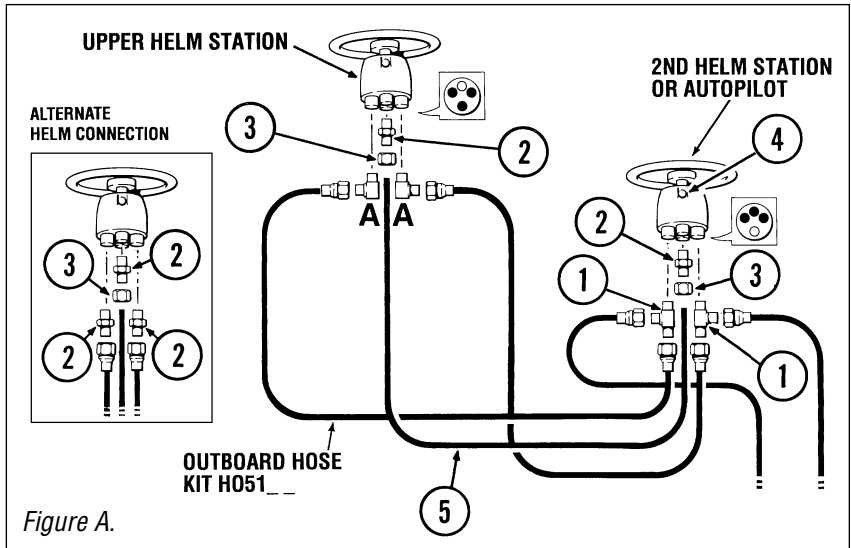
## FITTING KIT # HF6007

### 2<sup>nd</sup> Station/Autopilot to Outboard Application

#### 2nd Station Connection

#### CAUTION

Kit to be used with -3 ORB helm pumps **ONLY**. -3 Helm pumps are fitted with positionable O-ring style hose fitting ports. **DO NOT** attempt to install an NPT pipe fitting into a -3 helm hose fitting port. Doing so will lead to irreparable damage to the helm. **ONLY** use SeaStar Solutions O-ring style hose fittings (ORB).



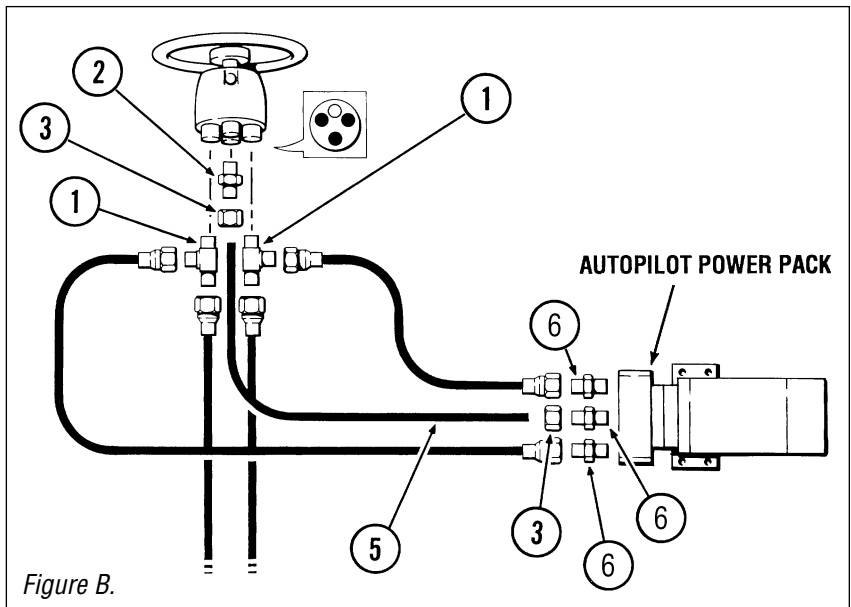
#### Autopilot Powerpack Connection

#### WARNING

**DO NOT** Cut Outboard Hose.

#### NOTICE

*This kit is for use with systems plumbed with outboard hose only.*



ITEM	PART #	QTY	DESCRIPTION
1	343196	2	Tee Fitting, 2 Ends 3/8" Tube, 1 End -5 ORB
2	343088	2	Straight Fitting, 3/8" Tube -5 ORB
3	280327	6	Tube Nut - 3/8" Dia.
4	HA5432	1	Non-Vented Filler Plug
5	HT5092	25ft	SeaStar Nylon Tube 3/8" Dia.
6	600602	3	Straight fitting, 14" NPT to 3/8" Tube (Not for use in -3 helms)
A*		2	Elbow 3/8" Tube (M) -5 ORB (M)

\* Supplied with Helm Pump



## Re-positional Helm Pump Fittings Installation/Realignment

### ⚠ CAUTION

-3 helm pumps are fitted with positionable O-ring style hose fitting ports (referred throughout this publication as ORB). Do NOT attempt to install an NPT pipe fitting into a -3 helm hose fitting ports. Doing so will lead to irreparable damage to the helm. ONLY use SeaStar Solutions O-ring style hose fittings (ORB).

### Re-Positionable Pump Fitting Installation

### ⚠ WARNING

Failure to properly tighten the locknut (item 1) may lead to loss of steering control. Loss of steering control may result in unpredictable boat behavior, collision with an obstacle and/or ejection from vessel, leading to property damage, personal injury and/or death.

**NOTE:** for straight ORB fittings simply torque fitting to 18 ft-lbs. Fitting re-orientation not required.

1. Back off lock nut (item 1), counter-clockwise, until it stops.  
**NOTE: O-ring must be fully on sealing surface and cannot contact any threads. Do not use Teflon tape or any liquid pipe sealant with ORB fittings.**
2. Thread fitting into helm port until fitting washer (item 2) contacts the face of the helm port. Tighten hand tight.  
**DO NOT USE A WRENCH.**
3. Re-position fitting to desired orientation by turning it counter-clockwise to a MAXIMUM of 1 full turn.
4. While holding the fitting body securely with a wrench, torque the lock nut (item 1) to **18 ft-lbs.**
5. While holding the fitting body securely with a wrench, torque the hose end nut to **15 ft-lbs.**
6. Purge system per applicable instruction manual.

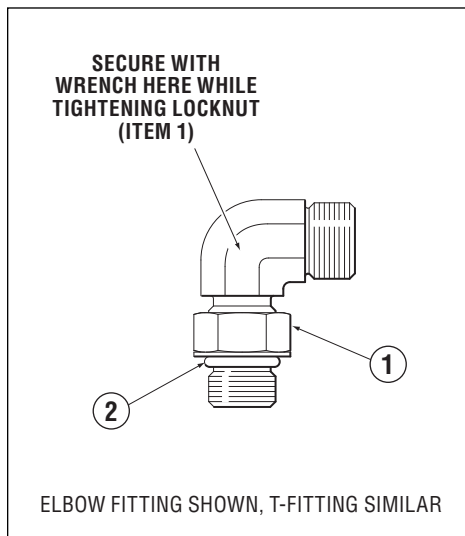


Figure C.

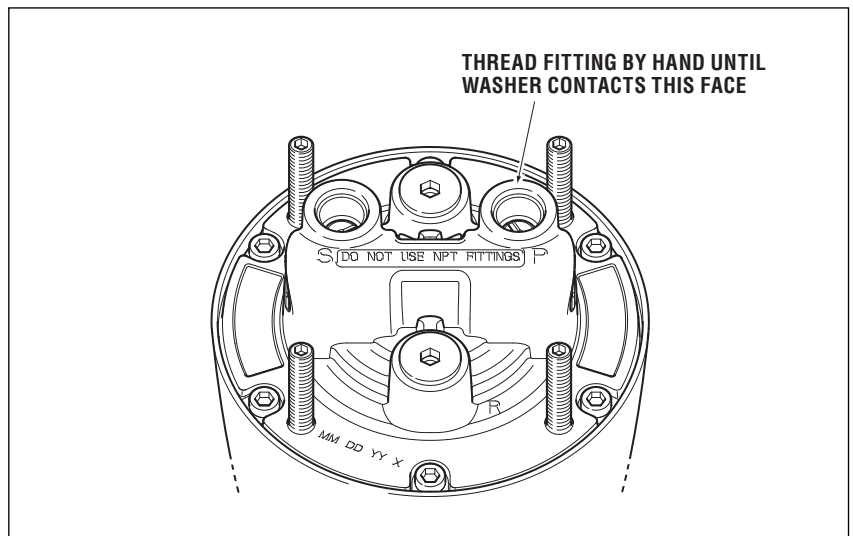


Figure D.

### ⚠ WARNING

SeaStar Solutions recommends that the hose and hose fittings are checked on a regular basis to ensure the safe operation of the steering system.