



**SEASTAR™**

## SEAL KIT # HS5196

### SeaStar Power Steering Cylinders

#### NOTICE

A qualified marine mechanic is required to perform ALL repair and/or maintenance work on SeaStar systems.

Ensure universal joint, (Detail 'C'), is free to pivot up and down, and side to side.

Ensure snap ring (item 13) is fully seated in its groove.

Use SeaStar steering fluid to lubricate all seals prior to installation.

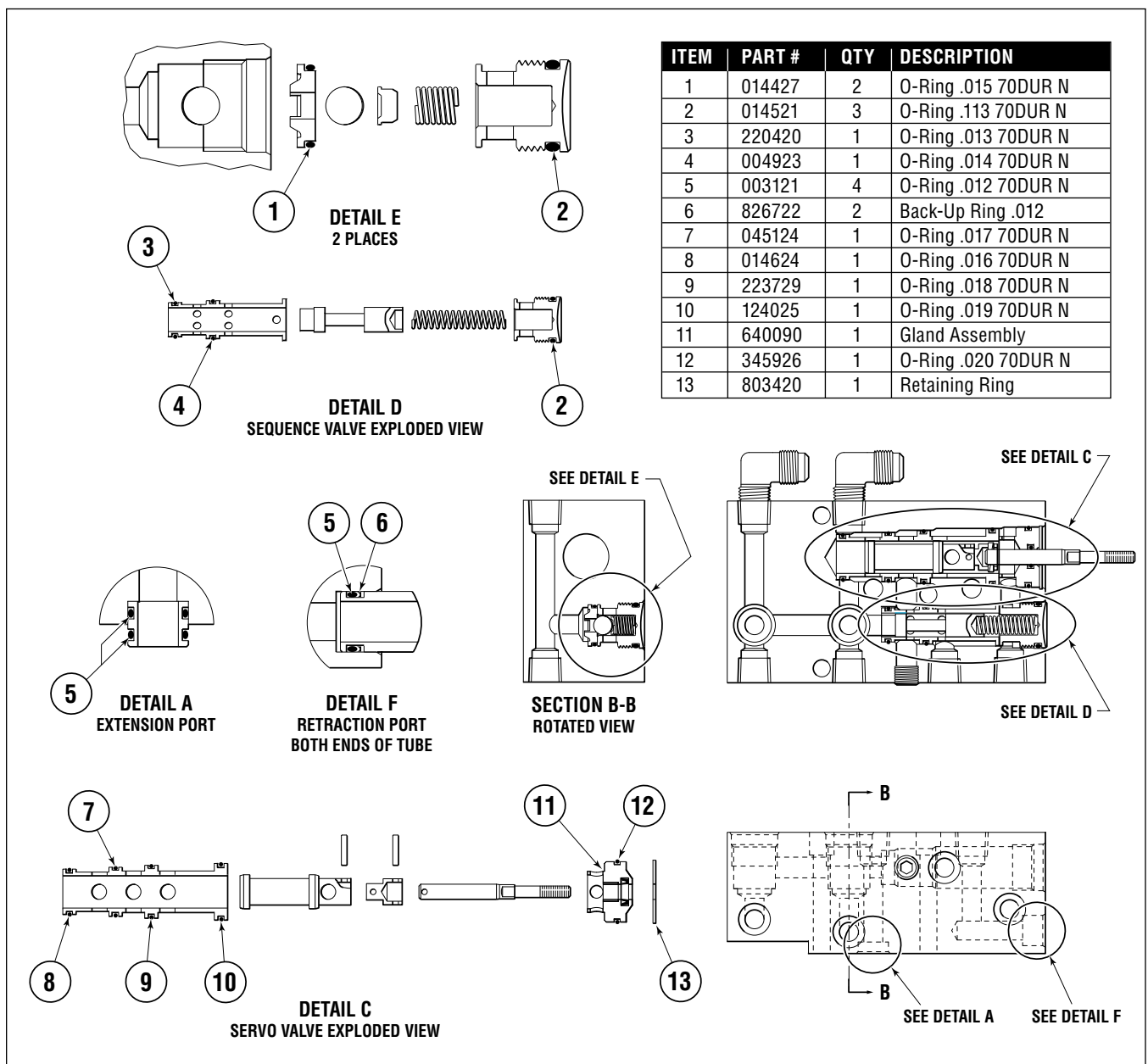


Figure A.