

INSTALLER: THESE INSTRUCTIONS CONTAIN IMPORTANT SAFETY INFORMATION AND MUST BE FORWARDED TO THE BOAT OWNER.

Part Number 300928
Neutral Safety Switch Kit
for
MV Controls

1. Assemble switch (4) to control using screws (2), lockwashers (3) as shown in Fig. 1. Pay special attention which way shift arm is assembled to that switch is mounted correctly and will not conflict with shift arm when control is operated. See Fig. 2 and 3.
2. Attach cam (1) to shift arm using retaining screw and lockwasher provided with control.
3. Terminals (5) are provided to connect switch electrically. Wire switch into circuit between the starter solenoid and starter key switch. Connect to the common and normally closed terminals of switch on control.

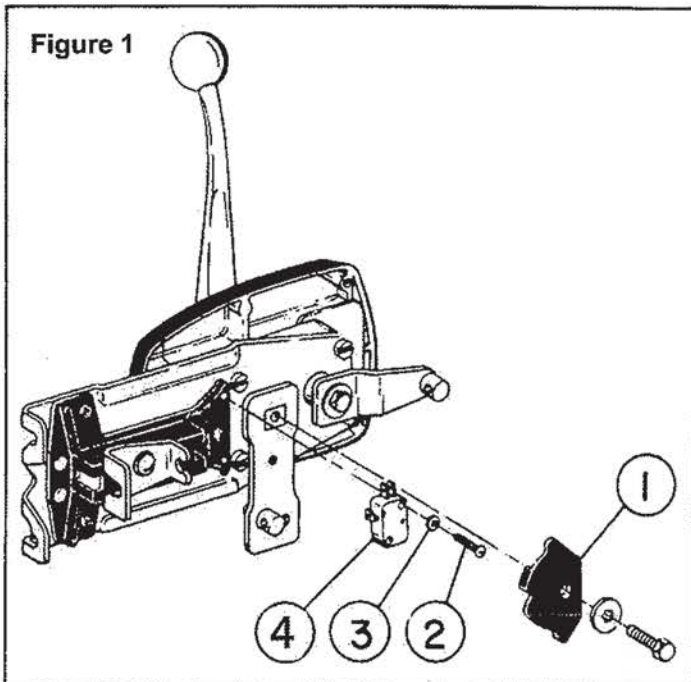


Figure 2

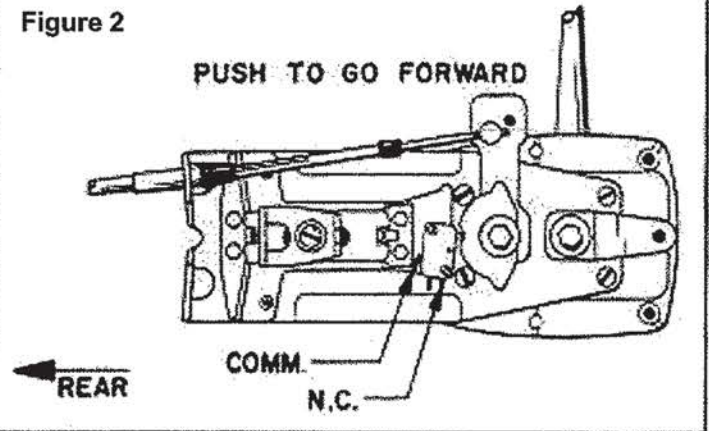
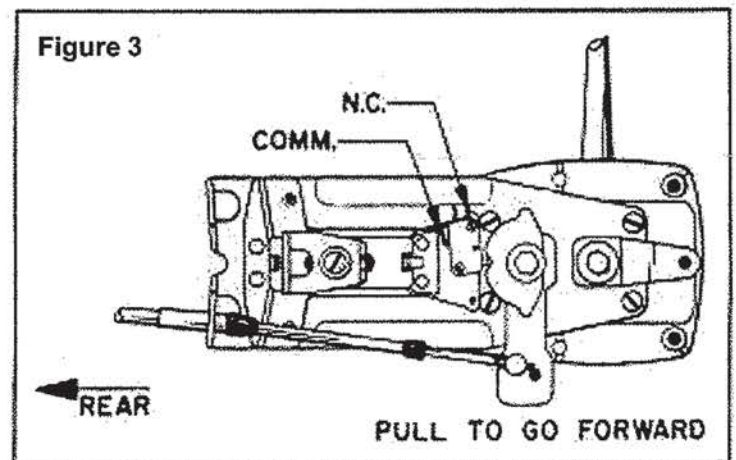


Figure 3



Item	Description	No. Req'd.
1	Cam	1
2	Screw, Rd. Hd. Slot #4-40 x 5/8" lg.	2
3	Lockwasher, Int. Tooth #4	2
4	Switch	1
5	Terminal (Not Shown)	2

USA Sales/Support
SeaStar Solutions
640 North Lewis Road
Limerick, PA 19468
610-495-7011
www.seastarsolutions.com

Overseas Sales/Support
SeaStar Solutions
International Sales and
Marketing
Tel: +44 1202 828010
www.seastarsolutions.com