

**OPTIMUS EPS**  
BY SEASTAR

**OPTIMUS 360**  
BY SEASTAR

# OUTBOARD SMART CYLINDER UPDATES



**IMPROVED SERVICEABILITY**

- Addition of grease fittings to make servicing the cylinder much easier

Figure A.

In addition to the above changes, the ground strap kit which comes with every cylinder has been updated.

The ground strap installation is now simplified as the grease fitting will be used to clamp the ground strap to the support bracket. The grease nipples will be shipped loose along with the ground strap and all other mounting hardware.

The change to the new support brackets and grease fitting will be a running change and will begin shipping in late summer 2015 for all new orders leaving our Richmond, BC manufacturing location.

SeaStar Solutions is pleased to announce that we have made additional updates to our very popular Optimus outboard steering cylinder. The cylinder will now be equipped with completely restyled support brackets which will be constructed from forged aluminum. The new brackets will incorporate the addition of a grease fitting, something which customers have previously requested as a product improvement. These changes will enhance the overall look of the cylinder and make servicing of the cylinder much easier.

**NEW LOOK**

- Restyled support brackets



Figure B.

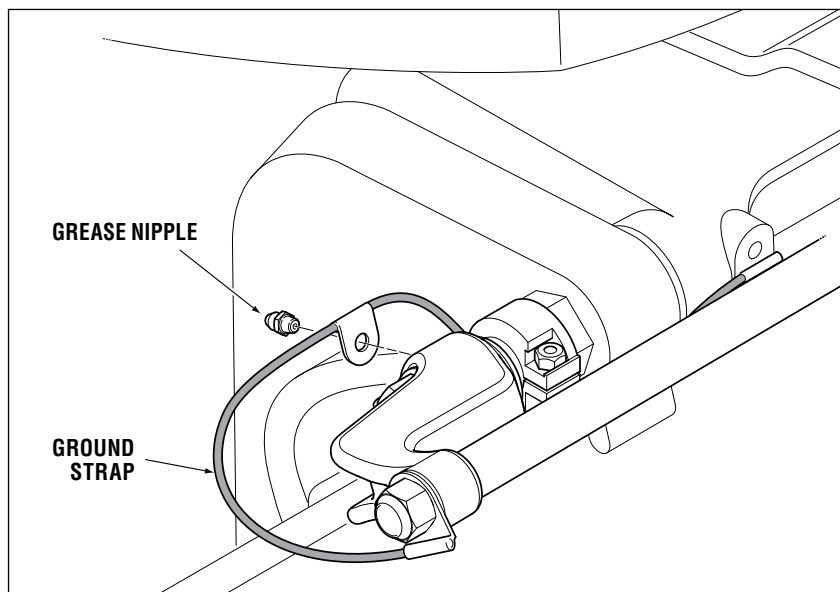


Figure C.

**NOTICE**

*You can replace an existing SmartCylinder with this new and improved SmartCylinder.*