

INSTALLER: THESE INSTRUCTIONS CONTAIN IMPORTANT SAFETY INFORMATION AND MUST BE FORWARDED TO THE BOAT OWNER.

## “S” CONTROL REBUILD KITS

### WARNING



This control must be entirely disassembled and re-assembled to install contents of these kits. Because proper assembly and cable adjustment is so important to the boat's performance, we recommend this conversion be completed by a boat dealer or boat repair facility. In all cases, remove cables from control first.

#### Tools required:

Multi Purpose Marine Grease to coat Nyliner bearing(s)  
Low strength threadlocker to coat threads of item 10 on re-assembly  
Phillips head screw driver  
Slotted head screw driver  
Allen wrench 4mm  
Torque wrench

### S Series Housing Kit

Remove in order:  
Items 12, 13, 14, 15 to remove  
control from dash  
Item 23  
Item 20 Handle will pull out.  
Item 18

Items 17 & 28. Lower Frame  
Housing will be isolated.  
Remove items 10  
Remove item 22 from housing  
Reassemble in reverse order  
Torque side screws, Item 17,  
to 25-32 in. lb.

Item	Single S Control	Description	Twin S Control
	<b>CA67864P</b>		<b>CA67865P</b>
16	1	Housing	1
22	1	Bearing	2
9	1	Top Plate	1
8	2	Plate Screws	2
17	2	Side Screws	4
28	2	Side Washers	4
23	1	Tapered Screw	2
	1	Instruction	1

### S Series Handle Kit

Remove in order :  
Items 12, 13, 14, 15 to remove  
control from dash  
Item 23  
Item 20 Handle will pull out.

Item 18  
Item 17 & 28  
Lower Frame  
Remove Item 22 from Item 16  
Reassemble in reverse order.

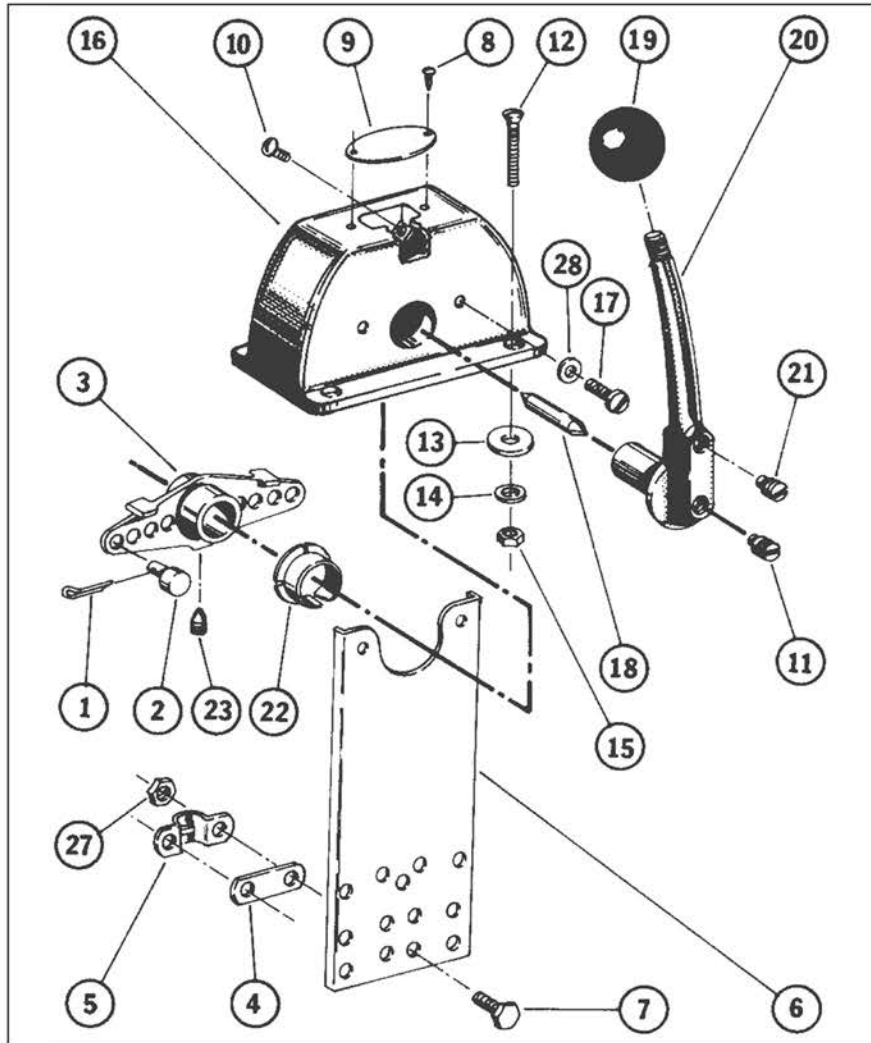
Item	Single S Control	Description	Twin S Control
	<b>CA67866P</b>		<b>CA67867P</b>
20	1	Handle	2
18	1	Brake Pin	1
21	1	Detent Screw	2
11	1	Brake Screw	2
22	1	Nyliner Bearing	2
23	1	Tapered Screw	2
19	1	Red Knob	1
19	1	Black Knob	1
	1	Instructions	1

### S Series Hardware Replacement Kit

Remove in order  
Items 12, 13, 14, 15 to remove  
control from dash  
Item 23  
Item 20 Handle will pull out.

Item 18  
Item 17 & 28  
Lower Frame  
Remove Item 22 from Item 16  
Reassemble in reverse order.  
Torque side screws, Item 17,  
to 25-32 in. lb.

Item	Single S Control	Description	Twin S Control
	<b>CA67868P</b>		<b>CA67869P</b>
1	1	Cotter Pin	2
2	1	Cable Pivot	2
4	1	Shim	2
5	1	Clamp	2
7	2	Screw	4
11	1	Brake Screw	2
12	4	Mounting Screw	4
13	4	Flat Washer	4
14	4	Spring Washer	4
15	4	Nut	4
17	2	Side Screw	4
18	1	Brake Pin	1
21	1	Detent Screw	2
22	1	Nyliner Bearing	2
27	2	Nut	4
28	2	Side Washer	4
	1	Instructions	1



<p>USA Sales/Support          SeaStar Solutions          640 North Lewis Road          Limerick, PA 19468          610-495-7011  <a href="http://www.seastarsolutions.com">www.seastarsolutions.com</a></p>	<p>Overseas Sales/Support          SeaStar Solutions          International Sales and          Marketing          Tel: +44 1202 828010  <a href="http://www.seastarsolutions.com">www.seastarsolutions.com</a></p>
---	--