

MEMBER
ABYC
Setting Standards for Safer Boating®

INSTALLATION INSTRUCTIONS AND OWNERS MANUAL

Part # IS-SHX97626, Rev 5, 07/2013

www.seastarsolutions.com

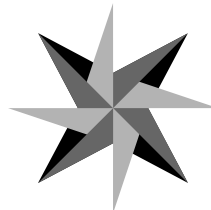


xtreme

Mechanical Steering for Inboard and
Outboard Powered Vessels

XTREME™ NON NFB™ TILT HELM SHX97626

big-t
jbs
nfb
rack
safe-t
xtreme



SEASTAR
SOLUTIONS®

MANUFACTURED BY
MARINE ACQUISITION INCORPORATED
DBA SEASTAR SOLUTIONS
U.S.A.

*Before you do it your way,
please try it our way.*

XTREME™ NON NFB™ TILT HELM

SHX97626

(Patents Pending)

NOTICE

Installer: these instructions contain important safety information and must be forwarded to the boat owner.

These instructions describe how to install the Xtreme™ NON NFB™ HELM for a TILT steering system. Helm part number SHX97626. Instructions for installing steering cables are also included.

In addition to this kit the following components are required for a complete TILT system:

- Sport or Sport Plus Tilt Mechanism
- SSCX64xx Cable (where xx is length in feet)
- Engine Connection Kit (refer to SeaStar Solutions catalog)
- Steering Wheel (refer to SeaStar Solutions catalog) Maximum wheel diameter 16", Maximum wheel dish 5".

⚠ DANGER

If steering cable is stiff in operation, it is unsafe to use and must be replaced immediately.

⚠ WARNING

Before starting installation read these instructions and engine makers instructions thoroughly. Failure to follow either of these instructions or incorrect assembly can result in loss of control and cause property damage, injury, or death.

⚠ WARNING

DO NOT substitute parts from other manufacturers, they may cause a safety hazard for which SeaStar Solutions cannot accept responsibility.

Use only SeaStar Solutions SSCX64 Xtreme™ steering cable with this helm.

⚠ WARNING

To avoid excessive steering loads, and to get the best steering performance, the outboard motor or outdrive trim tabs and tilt position must be adjusted as instructed in the motor manufacturers operation manual. Failure to do so can effect the performance of the boat and its safe operation which may cause property damage, injury, or death.

⚠ WARNING

DO NOT attach any electrical ground wires to the helm. This would result in an electrolytic reaction to the steering system that may result in system failure or greatly reduced service life.

⚠ WARNING

Helms must not be disassembled for any reason. Failure to reassemble correctly may lead to total failure of the system, which could result in property damage, injury, or death.

NOTICE

OUTBOARD APPLICATIONS: This system is only recommended as replacement for the original system as installed by the boat manufacturer. SeaStar Solutions always recommends NFB™ (or No Feed Back) helms for outboard applications. NFB™ helms lock out steering loads caused by propeller torque eliminating the driver fatigue normally experienced with a standard helm. Patented SeaStar Solutions NFB™ steering helms are a drop in replacement for Xtreme™ helm systems.

NOTICE

When replacing an existing steering system it is recommended that you stay with the style (rotary or rack) the boat manufacturer installed. Never change your steering from a dual cable to a single cable system, as this could cause an unsafe boating condition.

NOTICE

Helms and cable assemblies are supplied lubricated ready for installation, do not add any lubricant to either assembly. Use of other lubricants can cause damage to the steering cable, resulting in the cable seizing or premature wear. Keep the cable and drive assembly clean during installation. Dirt will damage the system and cause premature wear. This notice does not include the engine output ram end of the cable.

Preparation for Installation

STEP 1. Locate the position for the steering wheel on the console or dashboard.

CAUTION

Ensure that the clearances shown in figures 1 & 2 are maintained and that the steering wheel does not interfere with other dashboard equipment such as engine controls and instruments.

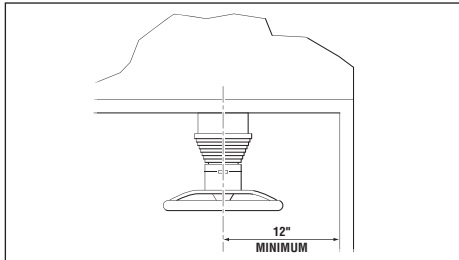


Figure 1.

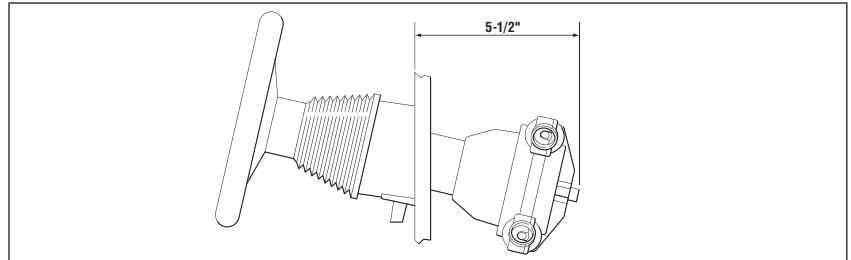


Figure 2.

STEP 2. Position the template (figure 7) on the console or dashboard at the location previously marked, and drill three holes 5/16" diameter and one hole 2-7/8" diameter.

Helm Mounting Bracket Installation

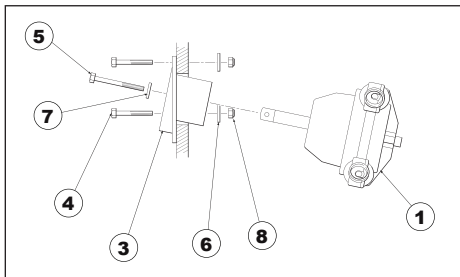


Figure 3.

Referring to figure 3, below: Secure the helm mounting plate (item 3) in position using three each of the 2-1/8" long hex bolts (item 4), large OD flat washers (item 6), and locknuts (item 8). Be sure the washers are on the inside of the dash as shown. Tighten securely.

Items 3, 4, 6 & 8 are included with Tilt Mechanism.

Helm Installation

The helm assembly can be mounted for either port or starboard cable routing. Steering cables, if possible, should be routed to the starboard side of the boat in order to balance engine torque.

Referring to figure 3, above for the most common applications: Insert shaft of helm (item 1) through hole in the mounting plate so that the helm's cable entry spigot is facing the direction of cable routing when viewed from the front of the dash. Attach the helm securely to the mounting plate using washers (item 7) and hex bolts (item 5) threaded into the helm.

At this time refer to the instructions packed with the tilt mechanism hardware kit and install the tilt mechanism and the steering wheel.

Steering Cable Routing

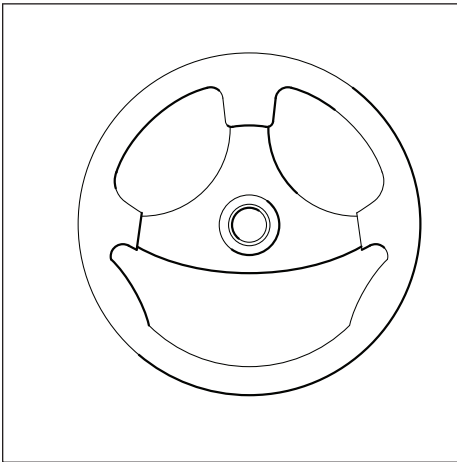
When routing the steering cable, select a path with the minimum number of bends, making the bends as large as possible. **DO NOT MAKE BENDS OF LESS THAN 8" RADIUS.** Sharp or frequent bends will result in hard steering and premature cable wear. When it is necessary to pass through a bulkhead, a 1-1/2" diameter hole is required. Cable(s) should be loosely clamped or tied for support at regular intervals.

CAUTION

Cables must not be bundled together with electrical wiring.
Cables must not rest on sharp edges which can cause chafing.

Steering Cable Installation

Before the steering cable is installed the steering wheel should be positioned as shown in figure 4, so that it is in the correct orientation when the installation is completed.



STEP 1. Remove the pin from the cable entry spigot of the helm. **DO NOT REMOVE THE TAG FROM THE PIN.** The back of the helm is marked for typical installation.

STEP 2. Remove the protective sleeve from the cable end, making sure that no dirt gets on the lubricated cable end. Feed the cable into the **UPPER** helm spigot until it contacts the internal gears. Then turn steering wheel to draw cable fully into the helm, (see Figure 5). Continue turning wheel until end fitting of cable is entered into the entry spigot, and wheel cannot be turned further. During this you should hear a click as the locking mechanism engages. Turn steering wheel fully in the other direction until it cannot be turned any further, and check that cable end fitting is retained inside the entry spigot.

Figure 4.

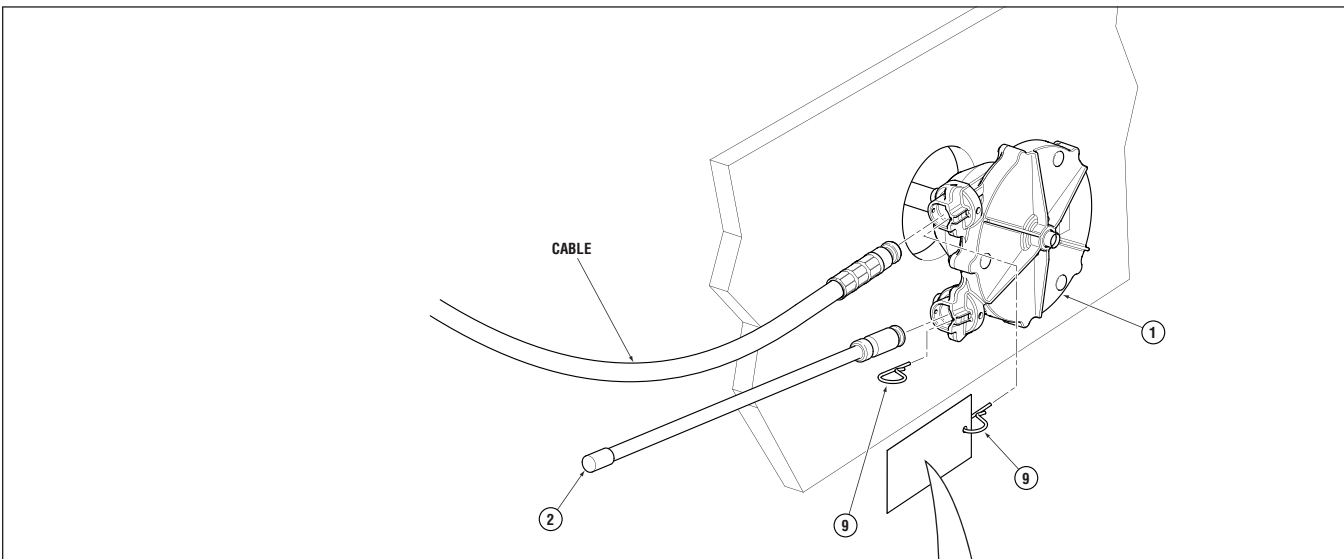


Figure 5.

TO INSTALL CABLE:			TO REMOVE CABLE:		
1. REMOVE PIN	2. INSTALL CABLE	3. REPLACE PIN & TAG AS SHOWN	1. REMOVE PIN	2. INSERT PIN IN HOLE, PUSH DOWN AND HOLD.	3. PULL CABLE OUT
0003812	WARNING: REFER TO MANUAL FOR COMPLETE INSTRUCTIONS DO NOT REMOVE THIS TAG		0003812	WARNING: REFER TO MANUAL FOR COMPLETE INSTRUCTIONS DO NOT REMOVE THIS TAG	

STEP 3. Replace pin as shown in Figure 6, making sure that it is fully seated. If pin cannot be inserted, the cable is not fully seated in the helm. Push on cable to ensure that it is fully home. **DO NOT REMOVE TAG FROM PIN.**

STEP 4. Turn the steering wheel fully to both extremes of rotation and check that the cable fitting is retained in the entry spigot.

STEP 5. Feed spent travel tube (item 2, figure 5) over the exposed cable end until you hear it click into place in the helm spigot. Then insert pin as shown in figure 5 until it is fully seated.

STEP 6. Rotate the steering wheel several times from stop to stop, and watch the movement of the Steering Cable output ram. On starboard routed cables, turning the steering wheel clockwise should cause the ram to extend. On port routed cables, turning the steering wheel clockwise should cause the ram to retract.

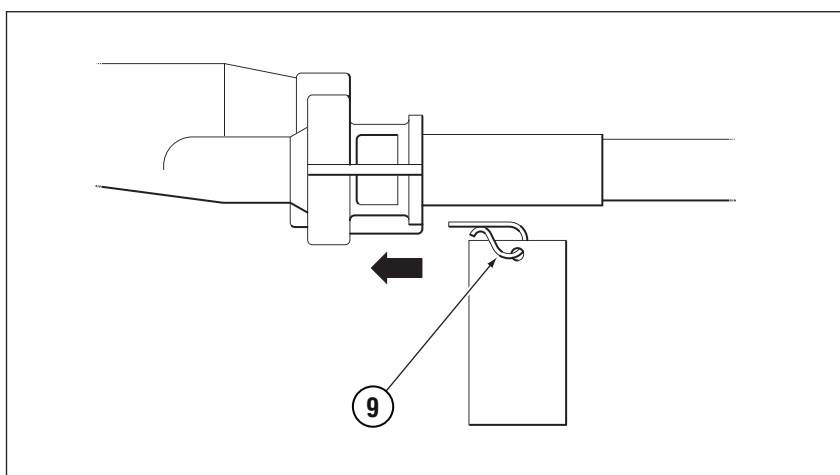


Figure 6.

Connection to Engine

For engine-mounted steering systems, slide the output ram through the engine support tube. Thread the cable coupler nut fully onto the support tube.

For a boat-mounted steering system, attach the cable to the boat and engine in accordance with the instructions furnished with the connection kit.

⚠ CAUTION

The output ram end of the steering cable should be lubricated with a good Waterproof Marine Grease before being inserted into the support tube.

⚠ CAUTION

Ensure that the cable output end is not bent when installing into the engine. If necessary remove the engine from the boat.

NOTICE

The coupler nut has a locking ring in the threads. Make sure the nut is drawn up fully and its internal plastic locking ring is engaged. If you do not tighten this nut fully there will be excessive play in the steering system. Connect the cable output ram to the engine tiller arm as shown in the instructions packed with the connection kit.

Parts List

ITEM	DESCRIPTION	QUANTITY
1	Helm	1
2	Spent Travel Tube	1
3*	Helm Mounting Plate	1
4*	1/4 x 2-1/8" Long Bolt	3
5	1/4 x 2-1/2" Bolt with Lock Patch	3
6*	1/4" Flat Washer (Large O.D.)	3
7	1/4" Flat Washer (Small O.D.)	3
8*	1/4" Locknut	3
9	Pin	2

* Parts in Tilt Mechanism Kit.

Operation & Maintenance Notes

CAUTION

It is possible to over trim the engine and increase the steering torque to the point that the steering wheel cannot be turned, even though the torque is not felt at the wheel. This may give the impression that the steering is "locked". This condition can occur more when jack plates are used to raise the engine on the transom, and can only be overcome by reducing the boat speed or engine trim out position. Until you are completely familiar with the boat and the effects of power trim, make all adjustments of trim with extreme caution.

1. After a few hours of operation and at frequent intervals thereafter, check all fasteners and the complete steering system for security and integrity.

DANGER

Loosening or loss of one or more fasteners may cause failure of the steering system, resulting in loss of steering control and could cause property damage, injury, or death.

2. Keep all moving parts free from build-up of salt and other foreign material. This will affect their operation and create steering problems. Periodically remove the cable, clean support tube and telescopic end of cable thoroughly and lubricate with a **waterproof marine grease**.

3. Periodically inspect for corrosion. Any parts affected by corrosion must be replaced. When replacing hardware, self-locking hardware as originally supplied must be used.

4. Periodically inspect steering cable for cracks or other damage. If any is found the cable must be replaced.

DANGER

If steering cable is stiff in operation, it is unsafe to use and must be replaced immediately.

DANGER

DO NOT cover cracks with tape or other sealants, this will create a hazard in which the cable can fail suddenly without warning, resulting in property damage, injury, or death.

NOTICE

Boat builder and boat dealer, please supply these Installation Instructions and Owner's Manual with the delivery of boat. Boat owner keep these instructions with your boat for future reference. Boat owner consult with your boat builder, boat dealer, or SeaStar Solutions if you have any questions regarding these instructions.

Mounting Template

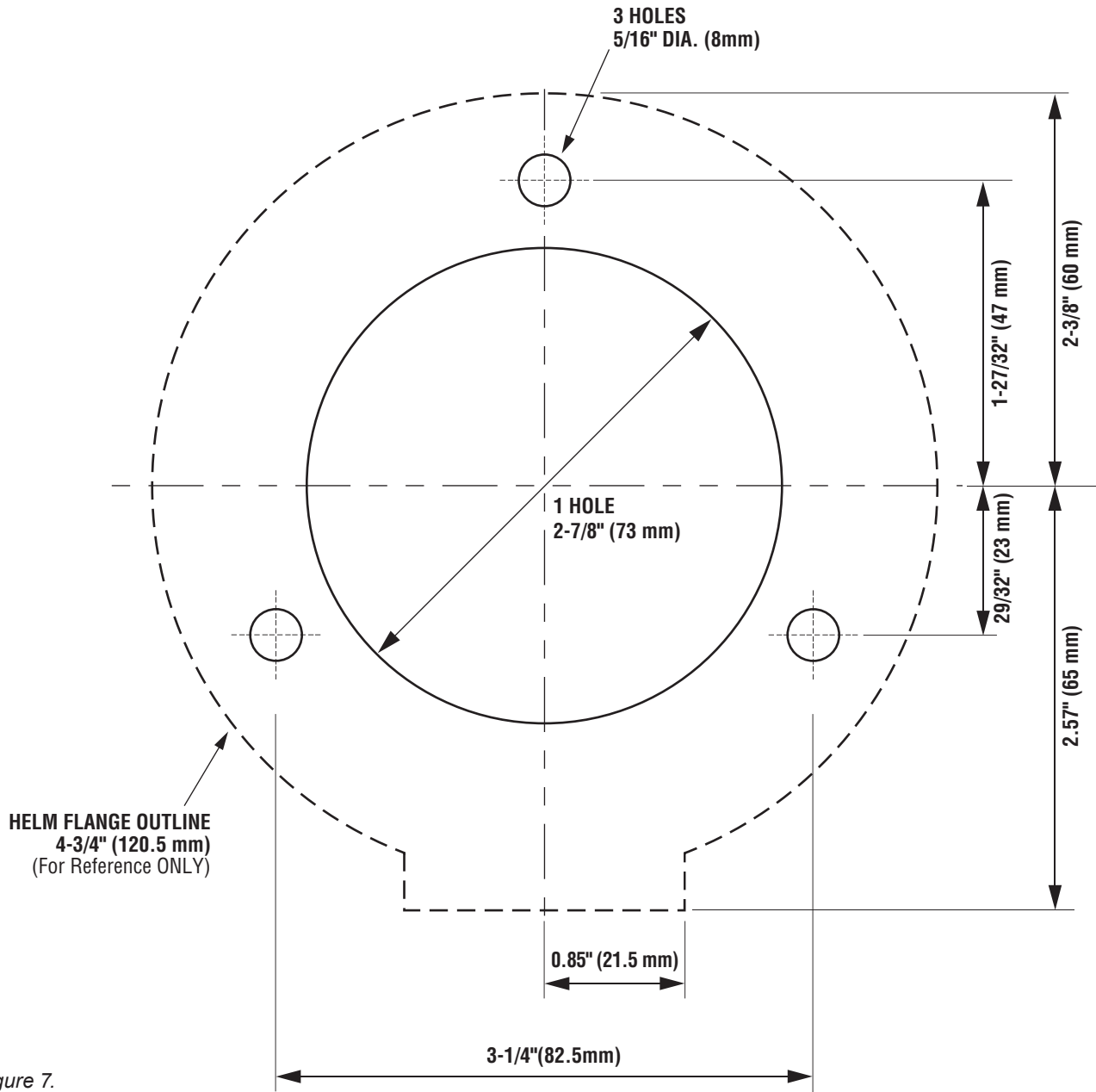


Figure 7.

NOTICE

If you must photocopy this mounting template for use, check ALL measurements using a measuring device prior to using as a template.





**SEASTAR
SOLUTIONS®**

640 North Lewis Road
Limerick, PA 19468 USA
610-495-7011
www.seastarsolutions.com

ISO 8848



© 2011 MARINE ACQUISITION (US) INC.

PART # IS-SHX97626 07/2013 Rev. 5