



## HYNAUTIC TO SEASTAR HOSE COUPLING KIT PART # HA1208

This kit is designed to lessen a pulsating feeling that may be felt with a SeaStar Power Assist in some installations. It is highly recommended to confirm the system is bled free of air before installing this kit. Air in a steering system may result in a pulsating feeling at the wheel(s).

### Hose Connector Installation Instructions (Figure A)

#### ⚠ CAUTION

During installation, great care must be taken to avoid debris from entering the system.

- Disconnect the existing SeaStar Steering hoses from your helm pump (P and S ports), or, Power Assist pump (h1 and H2 ports). DO NOT discard the existing SeaStar hoses as they will be required to complete this installation.
- Install 2 x couplers (item 2) into the ends of the “new” hoses (item 3), provided in this kit. Torque to 15 ft-lb.
- Apply a liquid Teflon based pipe sealant onto the threads of item 2 (see Figure A for location of pipe sealant).
- Install hose adapter fitting (item 1) onto coupler, item 2. Torque to 12 ft-lb.
- Connect existing hoses to end of item 3. Torque to 12 ft-lb.

#### NOTICE

*This kit is designed to be installed at the helm pump, or, the power assist pump. Select the most convenient installation for your application.*

### Adapter to Helm/Power Assist Pump Installation (Figure B)

ITEM	QTY	DESCRIPTION
1	2	Hose Adapter
2	4	Hose Coupler / Hose Fitting
3	2	Hose, 5'

- Remove existing hose fittings from helm pump or power assist pump.
- Apply a liquid Teflon based pipe sealant onto the threads of item 2 (see Figure B for location of pipe sealant).
- Install hose fitting into helm pump (P and S ports), or, Power Assist Pump (H1 and H2). Torque to 12 ft-lb.
- Attach remaining end of the NEW hose to the end of hose fitting (item 2). Torque to 12 ft-lb.
- Bleed steering system as outlined in your Power Assist Installation and Owner’s Manual.

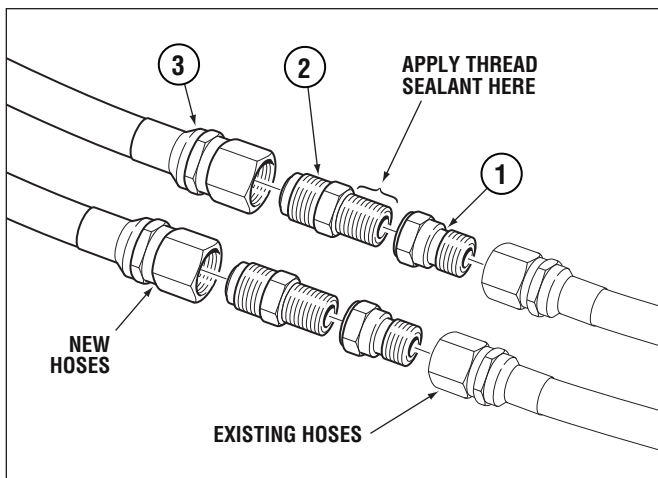


Figure A. Hose Connections.

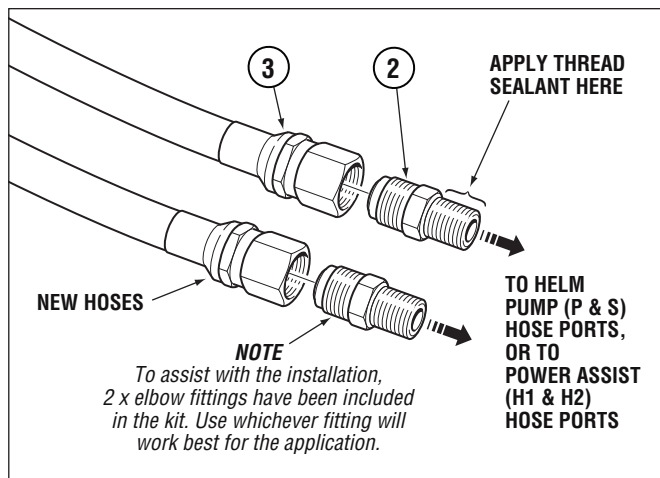


Figure B. Fitting to Helm/Power Assist.