

GPS SPEEDOMETERS

FEATURES

- Available in speed ranges of 35 MPH, 60 MPH, 85 MPH and 120 MPH.
- Included LCD heading display to show course over ground.
- Use our GPS antenna (sold separately) or connect to an existing NMEA 0183 GPS device - connectors included.
- Speed accuracy of +/-1 MPH (once moving).
- Heading accuracy of +/-1 degree (once moving).
- Ideal for slow speed applications like pontoon boats and for high speed performance boats where pitot tubes do not perform well.



Premier Pro



White Premier Pro



Amega



Arctic



Argent



Eclipse



Lido Pro

These GPS speedometers provide accurate speed over ground readings and heading information all in one attractive package. Available in various speed ranges to meet your application, the GPS speedometer is offered in a number of popular styles to match the colors in your boat like Premier Pro, White Premier Pro, Amega, Arctic and Eclipse instrument lines. Our GPS speedometer can be connected to an existing NMEA 0183 receiver if you have one already installed or you can purchased separately our custom design GPS receiver/antenna. This product is ideal for all speed applications and is particularly useful for slower speed craft and higher speed craft where traditional speed sensors like pitot tubes and paddlewheels do not perform well. An added advantage is there is nothing in the water to corrode or break.

Issue Date - Mar 2017

Issue Number - i5

GPS SPEEDOMETERS

ORDER INFORMATION

DESCRIPTION	WIRE LENGTH	PART No.
GPS Receivers		
GPS Receiver	25'	68755P
GPS Receiver	4'	68982P
GPS Receiver	4'	69053P

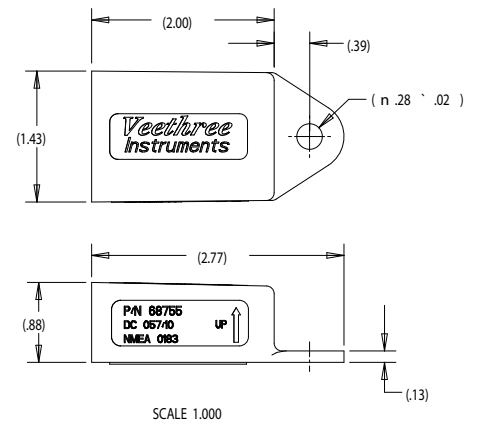
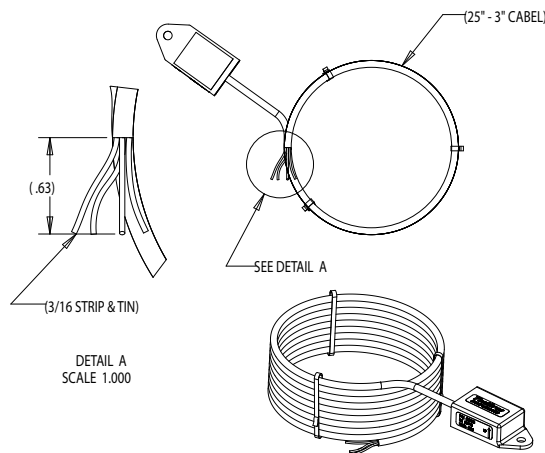
TECHNICAL DATA

GPS Receivers

GPS Receiver 25'



GPS Receiver 4'



Issue Date - Mar 2017

Issue Number - i5