

## OPTIMUS STEERING PUMP MOUNTING

SeaStar Solutions has recently been made aware of a few isolated cases where the Optimus Electronic Power Steering (EPS) system reports and clears a critical battery fault which causes temporary steering disruption (loss of steering response). The Optimus EPS system immediately detects this anomaly when it occurs.

Electrical noise may be coupled from the pump motor to the negative bus bar in applications where they are electrically tied together. The effect on the system is a fault message on the SeaStar Colour Display that is immediately cleared. For systems with a SeaStar Dash Panel, a Danger fault occurs and immediately clears. Once detected, the system requires user acknowledgement in order to safely resume steering operation.

### How to determine if your system is affected

1. Only affects vessels that are installed with an EM1200(s).
2. Affects installs where the EPS pump is secured to a conductive surface or when a mounting screw contacts a metal object that is electrically connected to the negative bus bar of the vessel.
3. To understand if your vessel may be affected you can measure the resistance between the pump body and the port or starboard negative terminal of the PCM. If the resistance is low (i.e. less than  $50\Omega$ ), then proceed to containment practice below.

### Containment Practice

SeaStar Solutions recommends that the pumps are installed on an electrically isolated surface such that the pump, mounting bracket and mounting screws do not contact any electrically conductive material.

#### NOTICE

For aluminum hull vessels, SeaStar Solutions recommends that the pumps are installed with an isolation spacer and the mounting screws DO NOT contact metal.

#### NOTICE

If you have any questions please contact SeaStar Solutions Technical Support @ 604-248-3858, or, email: [optimusadvisory@seastarsolutions.com](mailto:optimusadvisory@seastarsolutions.com)

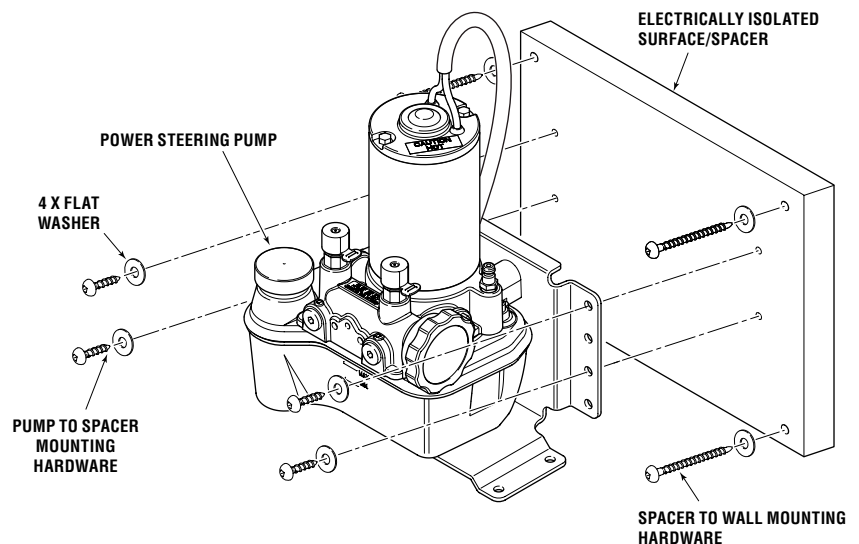


Figure A. Example of an isolated, vertical mounting installation for the EPS pump.